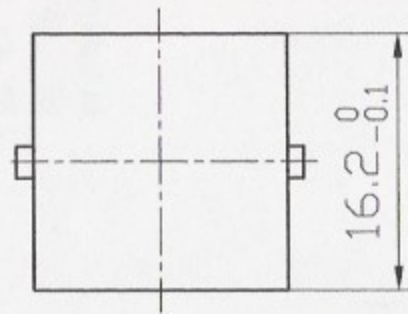
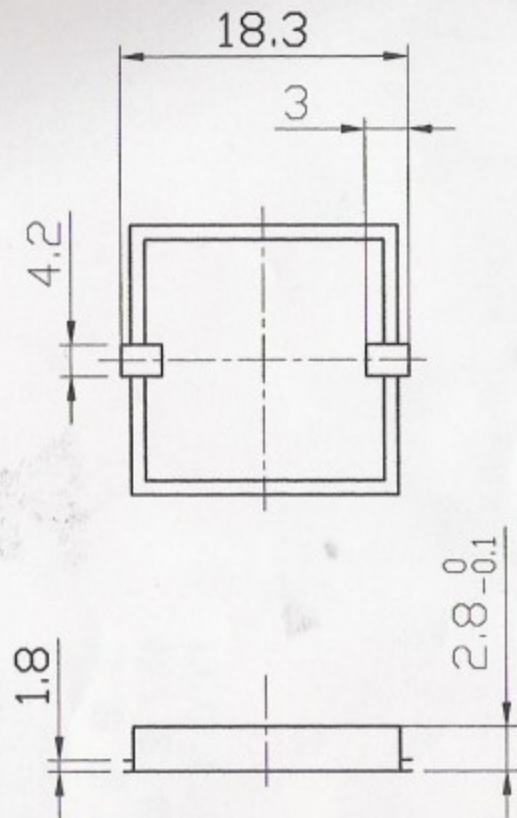


Order code	Manufacturer code	Description
35-0042	n/a	CT PIEZO SOUND GENERATOR RC

	Page 1 of 2
The enclosed information is believed to be correct, Information may change without notice due to product improvement. Users should ensure that the product is suitable for their use. E. & O. E.	Revision A 20/02/2007



SPECIFICATION

1. Rated Voltage12Vp-p Square Wave
2. Max. Allowable Voltage30Vp-p Square Wave
3. Max. Rated Current2mA at 4.0KHz/12Vp-p Square Wave
4. Min. Sound Pressure Level.....85dB at 4.0KHz/12Vp-p Square Wave/10cm
5. Capacitance at 100Hz15000pF±30%
6. Resonant Frequency4.0±0.5KHz
7. Shell Material/Color.....PPS/Black
8. Operating Temperature-20~+80°C
9. Store Temperature-30~+100°C
10. Weight1.5g