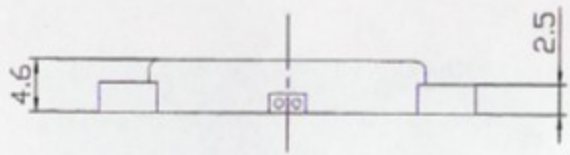
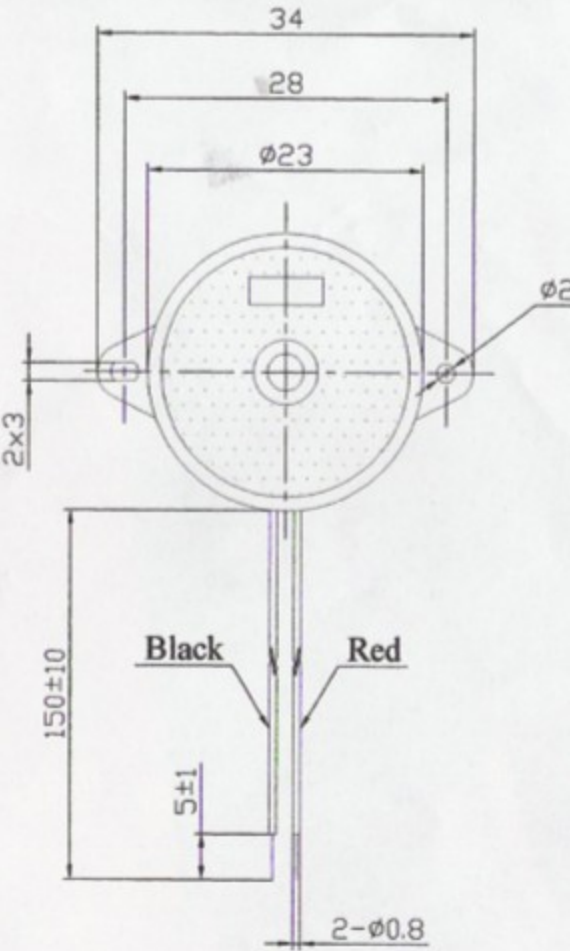


Order code	Manufacturer code	Description
35-0046	n/a	MINIATURE PIEZO TRANSDUCER 20MM RC

	Page 1 of 2
The enclosed information is believed to be correct, Information may change without notice due to product improvement. Users should ensure that the product is suitable for their use. E. & O. E.	Revision A 20/02/2007



SPECIFICATION



1. Rated Voltage 12Vp-p Square Wave
2. Max. Allowable Voltage 30Vp-p Square Wave
3. Max. Rated Current 3mA at 4.0KHz/12Vp-p Square Wave
4. Min. Sound Pressure Level..... 80dB at 4.0KHz/12Vp-p Square Wave/30cm
5. Capacitance at 120Hz 30000pF $\pm 30\%$
6. Resonant Frequency 4.0 ± 0.5 KHz.
7. Case Material..... ABS
8. Operating Temperature -20 \sim +60 $^{\circ}$ C
9. Store Temperature -30 \sim +70 $^{\circ}$ C
10. Weight 1g