

Piezo Sound Generator



DESCRIPTION

A piezo sound generator with epoxy sealed base suitable for PCB mounting.

DISTINCTIVE FEATURES

- Low profile
- High sound output level
- Built-in oscillating circuit
- Wave solderable and washable

APPLICATIONS

A wide range of applications such as audible warnings and alarms.

**SPL ≥
95dB**

12V

**∅
23.5mm**





ELECTRICAL SPECIFICATION

Rated Voltage	12V
Operating Voltage	3 to 20V
Current Consumption	15mA



GENERAL SPECIFICATION

Series	Piezo sound generators
Type	Sounder/ Sound Generator
Resonant Frequency	3400 +/-500Hz
SPL at 10cm	95dB
Weight	4g



MATERIALS

Material	Noryl
Colour	Black



ENVIRONMENTAL/OPERATING SPECIFICATION

Operating Temperature	-20~+60
Storage Temperature	-30~+70



TERMINALS

Terminals	PCB Pins
-----------	----------

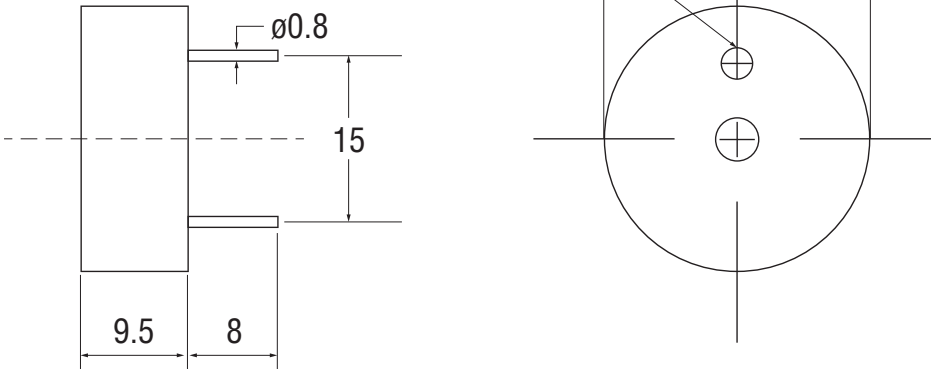


DIMENSIONS/DRAWINGS

Dimensions	mm
------------	----



Polarity Mark



PART NUMBER TABLE

Part Number	EAN	UNSPSC	Country of Origin
35-0204	5053556001163	46171607	China

R-TECH

Tried & trusted technology

Important Notice: This data sheet and its contents (the "Information") belong to Rapid Electronics Limited or are licensed to it. No licence is granted for the use of it other than for information purposes in connection with the products to which it relates. No licence of any intellectual property rights is granted. The Information is subject to change without notice and replaces all data sheets previously supplied. The Information supplied is believed to be accurate but Rapid Electronics Limited assumes no responsibility for its accuracy or completeness, any error in or omission from it or for any use made of it. Users of this data sheet should check for themselves the Information and the suitability of the products for their purpose and not make any assumptions based on information included or omitted. Liability for loss or damage resulting from any reliance on the Information or use of it (including liability resulting from negligence or where Rapid Electronics Limited were aware of the possibility of such loss or damage arising) is excluded. This will not operate to limit or restrict Rapid Electronics Limited's liability for death or personal injury resulting from its negligence.