

Miniature Mylar Cone Loudspeaker 1W 8Ω



DESCRIPTION

This miniature speaker features a Mylar cone and is epoxy sealed at the base.

DISTINCTIVE FEATURES

- 1.5W Max. power handling capability
- Low profile
- Neodymium magnet
- Mylar cone

APPLICATIONS

Suitable for audio applications where a low profile is advantageous, e.g. entrance door intercomms, discrete speakers for fixed installation in rooms, cabinets, etc.

**Mylar
Cone**

**Ø
50mm**

**Low
Profile**

8Ω

**Max.
1.5W**



ELECTRICAL SPECIFICATION

Rated Impedance	8Ω ±15% @ 2kHz 1V
Nominal Power	1.0W
Max. Power	1.5W



GENERAL SPECIFICATION

Series	Miniature Loudspeakers
Type	Mylar cone loudspeakers
Resonant Frequency	350Hz ±20Hz 1V
Frequency Range	F 0 to 20kHz 1V
Sound Pressure Level at 0.1W/0.1m	92dB ±3dB
Magnet	Ø12.5 x 1.5mm Nd-Fe-B
Voice Coil Diameter	Ø13.28mm
Total Harmonic Distortion	5% max. @ 1kHz 0.89V
Weight	13.2g



MATERIALS

Magnet	Nd-Fe-B
Frame	SPCC
Cone	Mylar
Voice Coil	Copper
Plate	SPCC
PCB	FR4



ENVIRONMENTAL/OPERATING SPECIFICATION

Operating Temperature	-20°C to +60°C
Storage Temperature	-20°C to +60°C



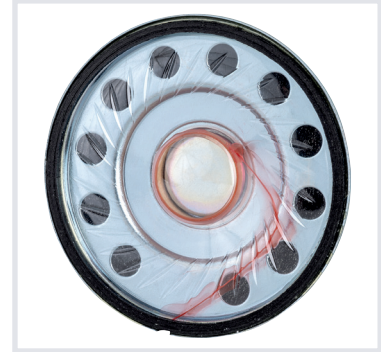
TERMINALS

Terminals	Solder tags
-----------	-------------

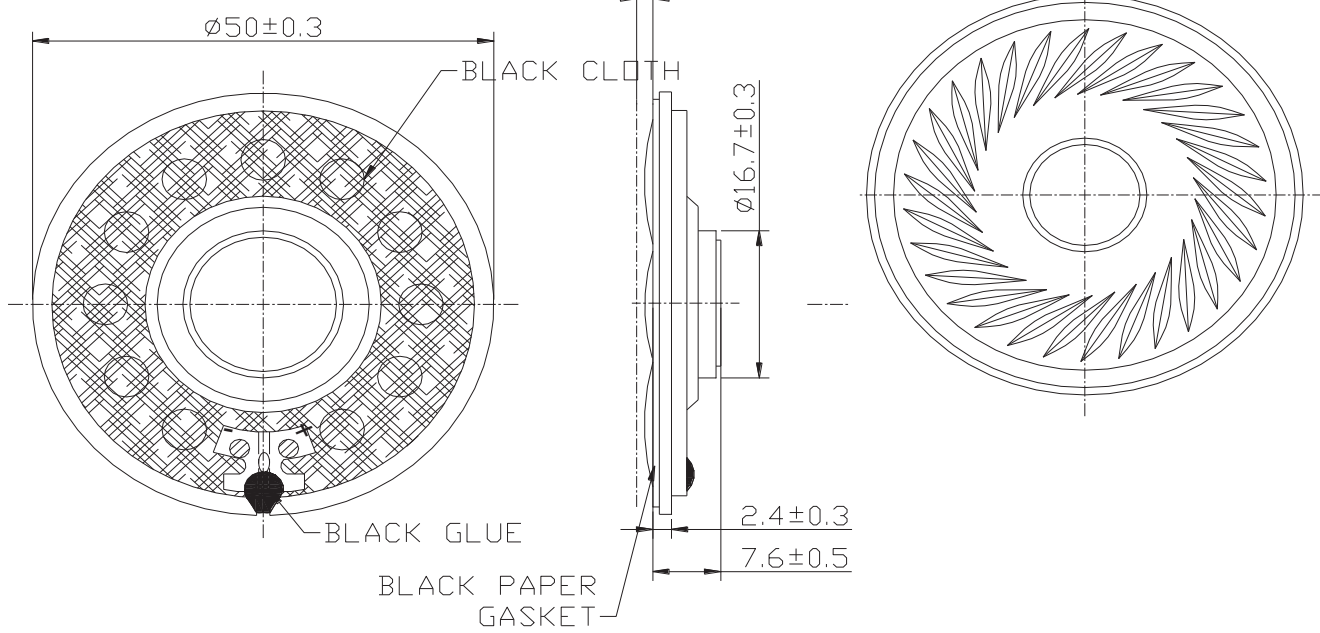


DIMENSIONS/DRAWINGS

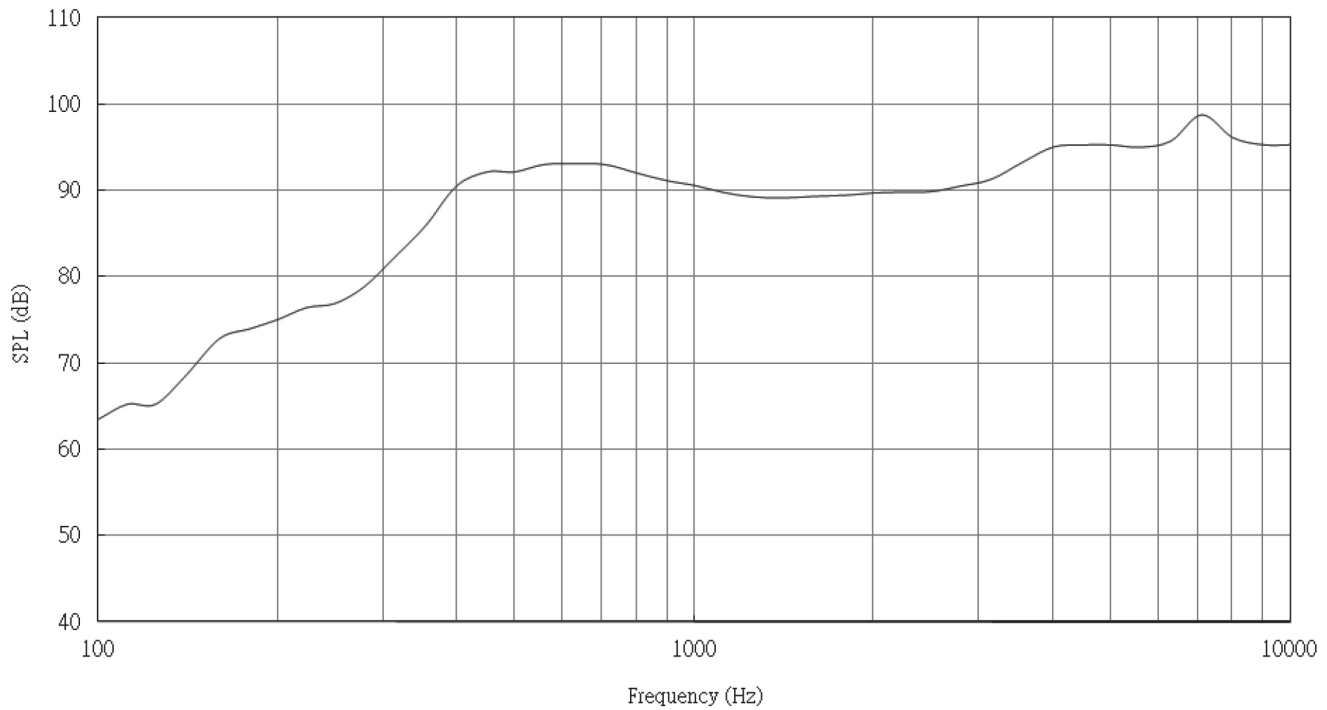
Dimensions	mm
Dimensions	Ø50.3 x 7.6mm
Magnet Size	Ø12.5 x 1.5mm Nd-Fe-B
Voice Coil Diameter	Ø13.28mm



The maximum distance of the diaphragm beyond the front cover is 2.5mm



Frequency Response Chart



PART NUMBER TABLE

Part Number	EAN	UNSPSC	Country of Origin
35-0206	5053556001187	52161512	China

R-TECH

Tried & trusted technology

Important Notice: This data sheet and its contents (the "Information") belong to Rapid Electronics Limited or are licensed to it. No licence is granted for the use of it other than for information purposes in connection with the products to which it relates. No licence of any intellectual property rights is granted. The Information is subject to change without notice and replaces all data sheets previously supplied. The Information supplied is believed to be accurate but Rapid Electronics Limited assumes no responsibility for its accuracy or completeness, any error in or omission from it or for any use made of it. Users of this data sheet should check for themselves the Information and the suitability of the products for their purpose and not make any assumptions based on information included or omitted. Liability for loss or damage resulting from any reliance on the Information or use of it (including liability resulting from negligence or where Rapid Electronics Limited were aware of the possibility of such loss or damage arising) is excluded. This will not operate to limit or restrict Rapid Electronics Limited's liability for death or personal injury resulting from its negligence.