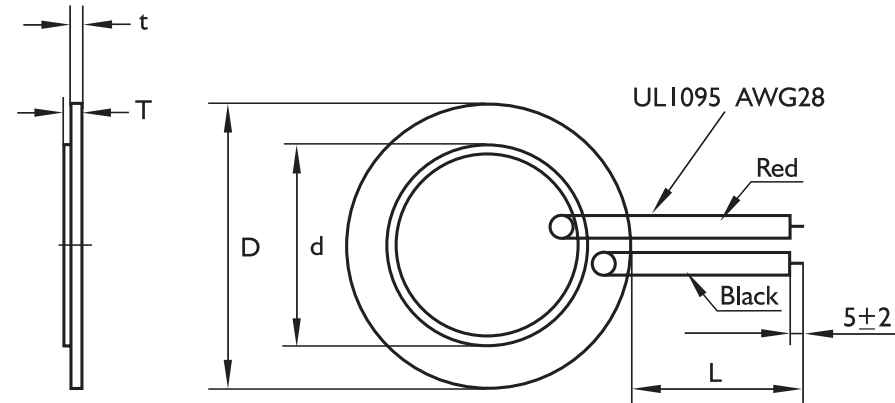


Specifications

ABT-441-RC

Rated max voltage (Vp-p square wave)	30Vp-p
Capacitance	20000pF±30%
Resonant frequency	4200±500Hz
Resonant impedance	≥300Ω
Operating temperature	-20~+60°C
Storage temperature	-20~+70°C
Dimensions D±0.1	27mm
d±0.3	20mm
t±0.02	0.3mm
T±0.1	0.52mm
Lead wire	UL1095 AWG28
Lead length (L)	200mm



Features

- ROHS compliant
- Low power consumption
- Reliable and lightweight

All data at 25°C unless otherwise specified



ALAN BUTCHER COMPONENTS LTD

Alan Butcher Components Ltd

Unit 1 Beechwood Clump Farm Industrial Estate Tin Pot Lane Blandford Dorset DT11 7TD

Telephone 01258 456360 Facsimile 01258 459194 Email sales@abcomponents.co.uk

www.abcomponents.co.uk



BS EN ISO 9001 Certification No 5239