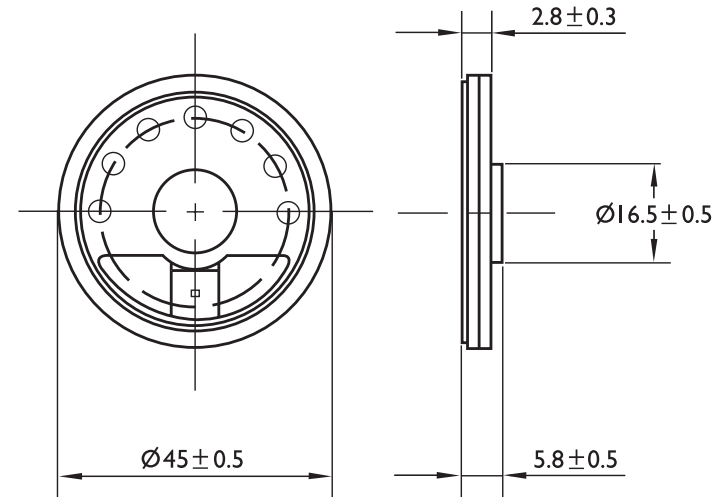


Specifications

ABS-209-RC

Rated impedance	32±15%Ω
Nominal power	0.25W
Maximum power	0.5W
Resonant frequency	500±25Hz
Frequency range	F 0-5,500Hz
Sound output level at 0.5W/0.5m and 0.1W/0.1m	85±3dB/92±3dB
Magnet material	Nd-Fe-B
Magnet size	∅12.5x1.5mm
Operating temperature	-20~+60°C
Storage temperature	-30~+70°C
Weight	12g



Features

- ROHS compliant
- Small, low profile
- Cone material: Mylar
- Housing material: Metal

All data at 25°C unless otherwise specified

Dimensions Unit: mm



ALAN BUTCHER COMPONENTS LTD

Alan Butcher Components Ltd

Unit 1 Beechwood Clump Farm Industrial Estate Tin Pot Lane Blandford Dorset DT11 7TD

Telephone 01258 456360 Facsimile 01258 459194 Email sales@abcomponents.co.uk

www.abcomponents.co.uk



BS EN ISO 9001 Certification No 5239