

Buzzer - Piezo Transducer



DESCRIPTION

These small, low power, Buzzer-type Piezo Transducers are designed to provide an audible output with a sound pressure level of up to 85dB at a Frequency of 4kHz.

DISTINCTIVE FEATURES

- ROHS compliant
- Low current and profile
- Black in colour
- Housing material: ABS
- Voltage rating 9V
- Current rating $\leq 3\text{mA}$
- Sound output 85dB at 10cm
- Frequency $4000 \pm 500\text{Hz}$
- Diameter 24mm

APPLICATIONS

These Piezo Transducers are suitable for a range of applications including Industry, Security, Sensing and Instrumentation.

\varnothing
24mm

$\geq 85\text{dB}$

9.0V
p-p

$\leq 3\text{mA}$





ELECTRICAL SPECIFICATION

Rated Voltage (Vp-p square wave)	9Vp-p
Operating Voltage	1~30Vp-p
Rated current at rated voltage	≤3mA
Capacitance at 1KHz	17000±30%pF



GENERAL SPECIFICATION

Type	Piezo Transducer
Resonant Frequency	4000±500Hz
Sound output at 4000Hz at 10cm at rated voltage	≥85dB
Tone	Continuous Tone



MATERIALS

Material	ABS
Colour	Black



ENVIRONMENTAL/OPERATING SPECIFICATION

Operating temperature	-20~+60°C
Storage temperature	-30~+70°C



TERMINALS

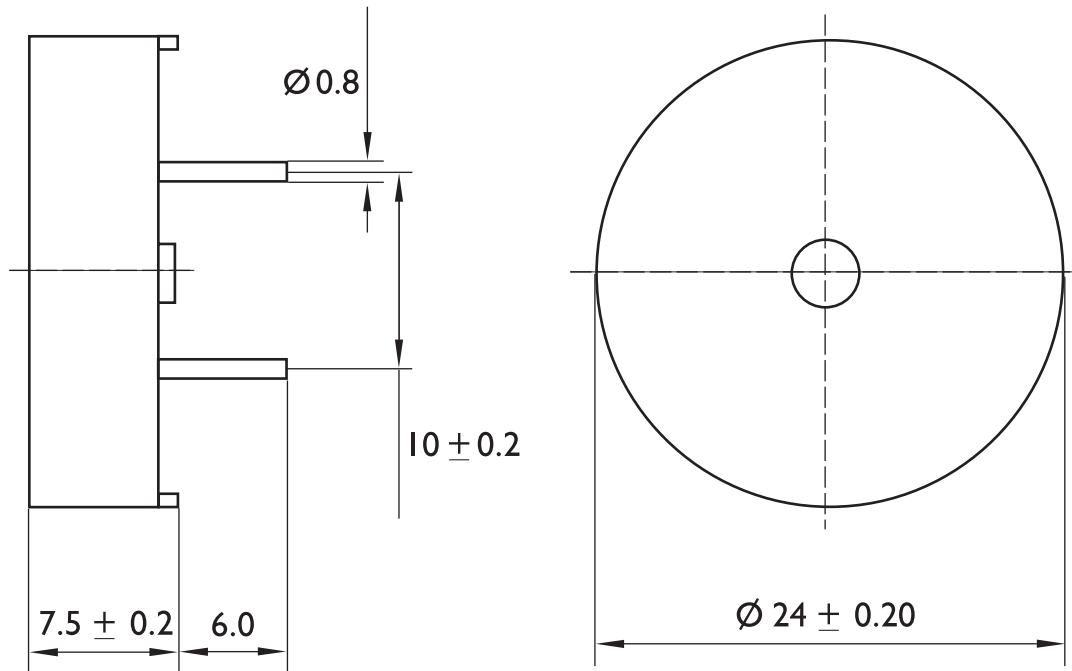
Terminal type	PCB pins 2x Ø 0.8
Terminal Pitch	10mm
Terminal Length	6mm

Requires additional electronic circuitry to operate as a sounder.
All data at 25°C unless otherwise specified.



DIMENSIONS/DRAWINGS

Units	mm - unless stated otherwise
Dimensions	ø24.0 x 7.5
Weight	3g



PART NUMBER TABLE

Part Number	Voltage	UNSPSC	EAN	Country of Origin
35-0376	9V	41112101	5053556002382	China

For further information on pricing, delivery, and long-term stock agreements please contact your local business development person, telephone our main office on **01206 838000** or email **Sales@Rapidonline.com**.

R-TECH
Tried & trusted technology

Important Notice: This data sheet and its contents (the "Information") belong to Rapid Electronics Limited or are licensed to it. No licence is granted for the use of it other than for information purposes in connection with the products to which it relates. No licence of any intellectual property rights is granted. The Information is subject to change without notice and replaces all data sheets previously supplied. The Information supplied is believed to be accurate but Rapid Electronics Limited assumes no responsibility for its accuracy or completeness, any error in or omission from it or for any use made of it. Users of this data sheet should check for themselves the Information and the suitability of the products for their purpose and not make any assumptions based on information included or omitted. Liability for loss or damage resulting from any reliance on the Information or use of it (including liability resulting from negligence or where Rapid Electronics Limited were aware of the possibility of such loss or damage arising) is excluded. This will not operate to limit or restrict Rapid Electronics Limited's liability for death or personal injury resulting from its negligence.