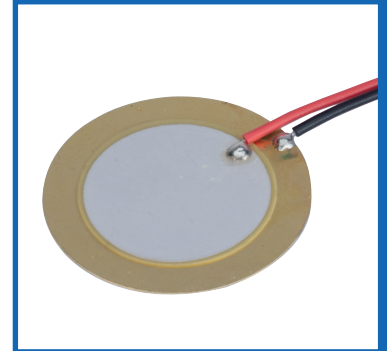


## Piezo Element with Leads



### DESCRIPTION

This small, flat Piezo Element is lightweight and reliable with a max voltage of 30V and a Frequency of 4.2Hz.

### DISTINCTIVE FEATURES

- ROHS compliant
- Low power consumption
- Reliable and lightweight
- Voltage rating 30V
- Frequency 4200±500Hz
- Diameter 27mm

### APPLICATIONS

This Piezo Element is suitable for a range of applications including Industry, Security, Sensing and Instrumentation where space/height is a consideration.

Ø  
27mm

≥85dB

30V  
p-p





## ELECTRICAL SPECIFICATION

Rated maximum Voltage (Vp-p square wave)	30Vp-p
Capacitance	20000pF±30%



## GENERAL SPECIFICATION

Type	Piezo Transducer
Resonant Frequency	4200±500Hz
Resonant impedance	≥300Ω
Lead wire	UL1095 AWG28
Lead length	200mm



## MATERIALS

Material	Brass
----------	-------



## ENVIRONMENTAL/OPERATING SPECIFICATION

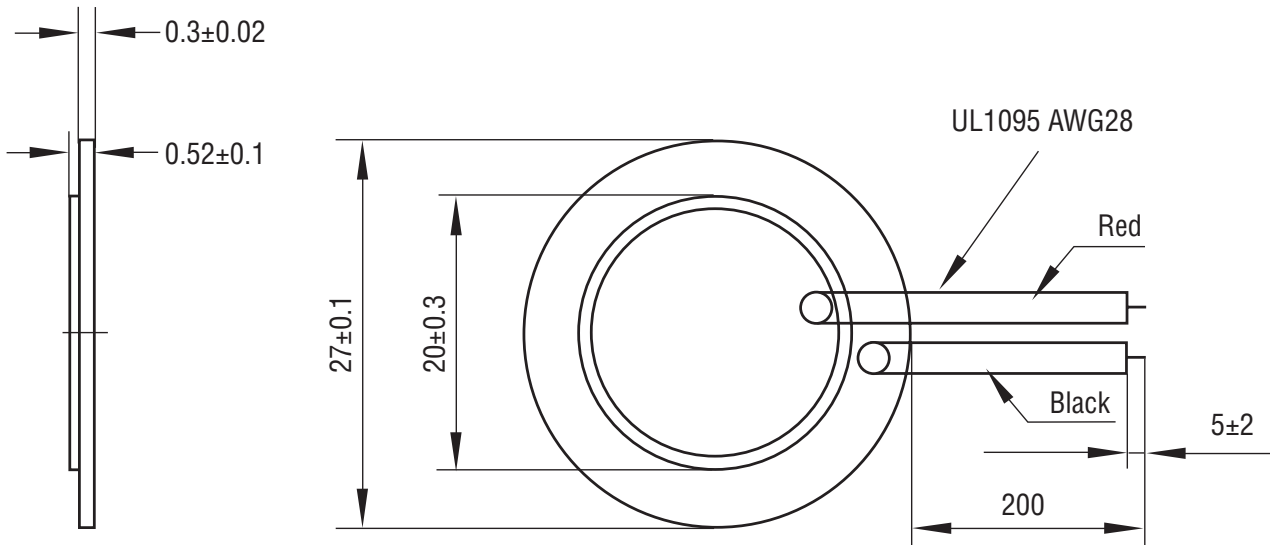
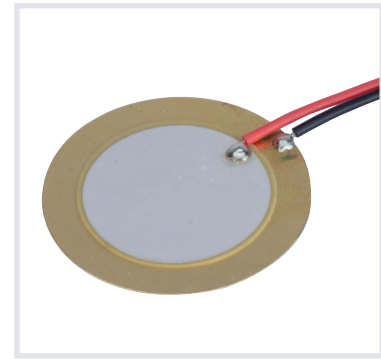
Operating temperature	-20~+60°C
Storage temperature	-20~+70°C

All data at 25°C unless otherwise specified.



## DIMENSIONS/DRAWINGS

Units	mm - unless stated otherwise
Dimensions	ø27.0 x 0.52



## PART NUMBER TABLE

Part Number	Voltage	UNSPSC	EAN	Country of Origin
<b>35-0377</b>	30V	41112101	5053556002399	China

For further information on pricing, delivery, and long-term stock agreements please contact your local business development person, telephone our main office on **01206 838000** or email **Sales@Rapidonline.com**.

**R-TECH**  
Tried & trusted technology

**Important Notice:** This data sheet and its contents (the "Information") belong to Rapid Electronics Limited or are licensed to it. No licence is granted for the use of it other than for information purposes in connection with the products to which it relates. No licence of any intellectual property rights is granted. The Information is subject to change without notice and replaces all data sheets previously supplied. The Information supplied is believed to be accurate but Rapid Electronics Limited assumes no responsibility for its accuracy or completeness, any error in or omission from it or for any use made of it. Users of this data sheet should check for themselves the Information and the suitability of the products for their purpose and not make any assumptions based on information included or omitted. Liability for loss or damage resulting from any reliance on the Information or use of it (including liability resulting from negligence or where Rapid Electronics Limited were aware of the possibility of such loss or damage arising) is excluded. This will not operate to limit or restrict Rapid Electronics Limited's liability for death or personal injury resulting from its negligence.