

# CLIFF

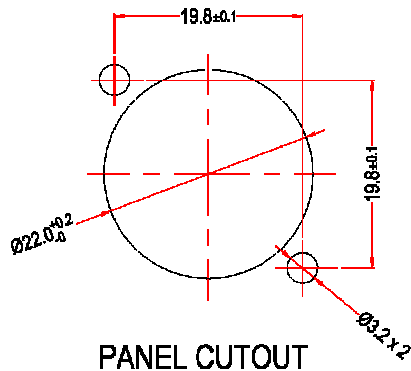
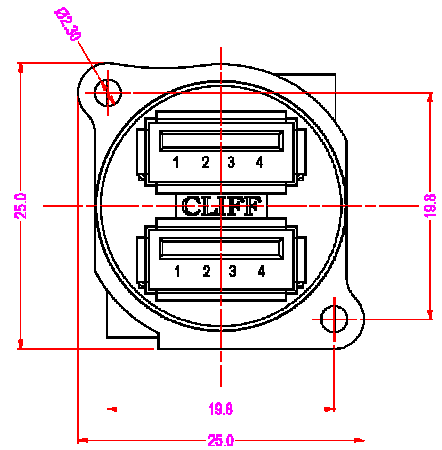
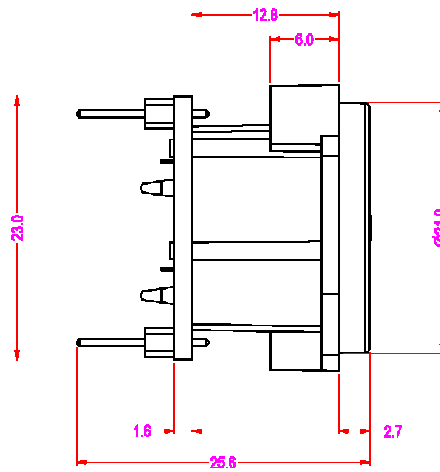
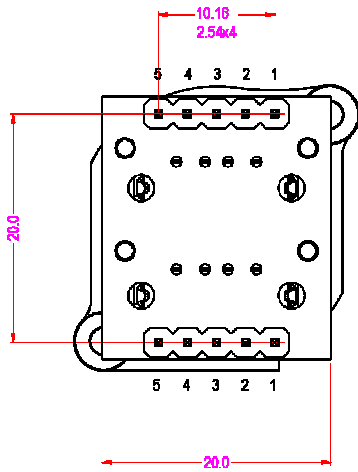
## XLR WITH DUAL USB2



**PART No. CP30090**

Dual USB2 compliant sockets are mounted in a single space-saving universal XLR receptacle, chosen to allow industry standard panel cutouts and maximum panel mounting density. The two USB2 sockets provide isolated and independent output connection to two rows of 5 x 2.54mm (0.1") pitch output pins. These are configured to facilitate either direct soldering to PCBs or connection by header cable. We are happy to provide customers with standard or custom designed header cables to meet individual system requirements.

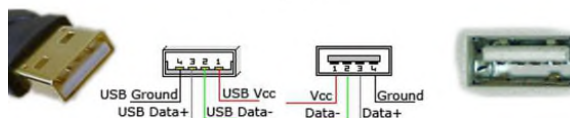
This is the first in Cliff's programmed series of USB and other data connectors, primarily in XLR and other industry standard shells. Enquire to Sales for customised USB connector variants to suit end users applications.



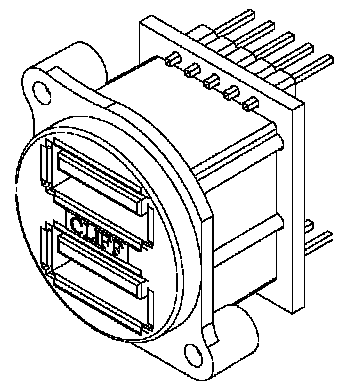
**PANEL CUTOUT**

PIN No.	CONNECTION
1	Vcc
2	Data -
3	Data +
4	Ground
5	Housing

**USB pinout**

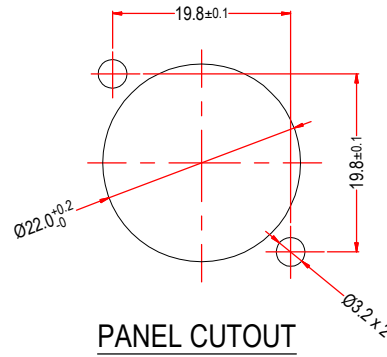
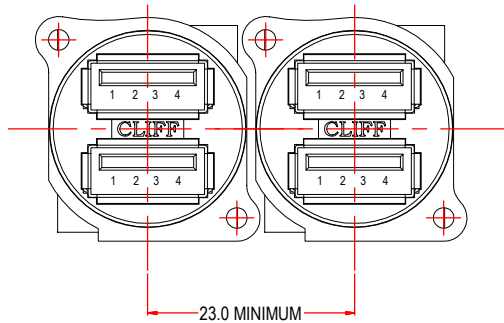
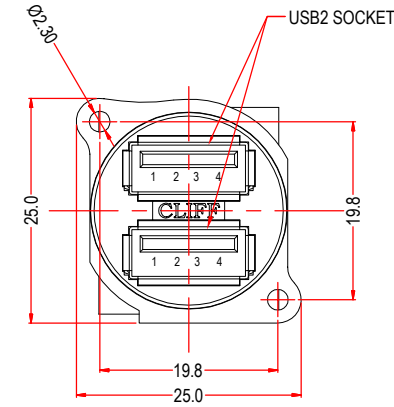
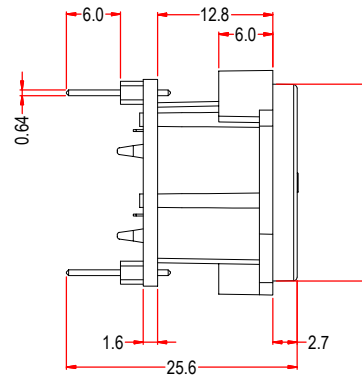
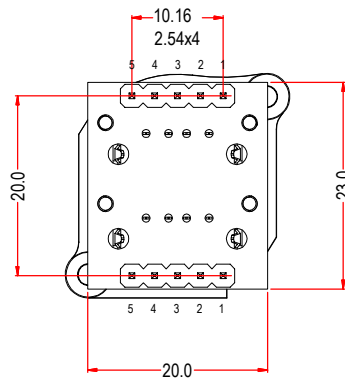
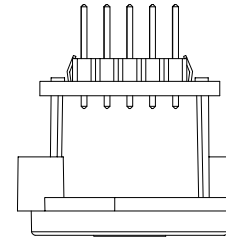
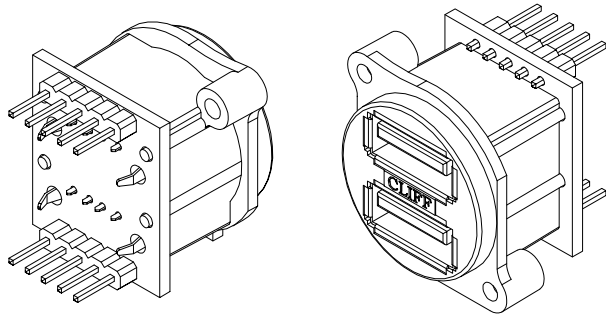


USB is a serial bus. It uses 4 shielded wires: two for power (+5v & GND) and two for differential data signals (labelled as D+ and D- in pinout)



For further information, contact: [sales@cliffuk.co.uk](mailto:sales@cliffuk.co.uk)

ISS.	AMEND	DATE
1	ISSUED	22/01/2014



PIN No.	CONNECTION
1	Vcc
2	Data -
3	Data +
4	Ground
5	Housing

**RoHS**  
COMPLIANT

**TOLERANCE**  
 NO DEC. PLACE ±  
 1 DEC. PLACE ±  
 2 DEC. PLACE ±  
 HOLE Ø ±  
 ANGLES ±  
 UNLESS OTHERWISE STATED

DO NOT SCALE

**Cliff Electronic Components Ltd.**  
 76 Holmethorpe Avenue, Holmethorpe Industrial Estate,  
 Redhill, Surrey, RH1 2PF, England, UK  
 Tel: 01737-771375 Fax: 01737-766012 Website: www.cliffuk.co.uk

DIMENSIONS IN MILLIMETERS UNLESS OTHERWISE STATED. WORK TO DIMENSIONS. REMOVE ALL BURRS. IF IN DOUBT ASK.

3rd ANGLE PROJECTION:

MATERIAL: SEE PART DRAWINGS

TITLE: XLR-USB2x2

FINISH: SEE PART DRAWINGS

THE CONTENTS OF THIS DOCUMENT MUST NOT BE COPIED OR DISCLOSED TO A 3rd PARTY WITHOUT WRITTEN PERMISSION OF CLIFF UK. © 2013

DRAWN: NJB

APPROVED: DPJ

DRWG. No. **CP 30090**

FORM: A4DRWGH