

Miniature PCB Mount Piezo Transducer



DESCRIPTION

A piezo transducer that is able to generate a range of audible tones and frequencies when energised by a 12V peak square wave. When mounted rigidly, outputs of up to 85dB can be achieved.

DISTINCTIVE FEATURES

- Robust construction
- Non-polarised input
- Requires drive circuit
- Dimensions $\text{Ø}16.8 \times 8.0\text{mm}$

APPLICATIONS

Designed for PCB mounting and suitable for use in professional, commercial and industrial applications for toys, clocks and watches, calculators and electronic games.

Note: Not suitable for speech or music

**Ø 16.8
mm**

12V

3mA

85dB



ELECTRICAL SPECIFICATION

Rated Voltage	12Vp-p Square wave
Voltage max.	30Vp-p Square wave
Rated current	3mA @ 4kHz/12Vp-p Square wave
Capacitance @ 120Hz	14nF



GENERAL SPECIFICATION

Type	Piezo transducer
Resonant Frequency	4kHz \pm 0.5kHz
Sound Pressure Level min.	85dB @ 4kHz/12Vp-p Square wave/10cm



MATERIALS

Material	ABS
Colour	Black



ENVIRONMENTAL/OPERATING SPECIFICATION

Operating Temperature	-30°C to +85°C
Storage Temperature	-40°C to +95°C



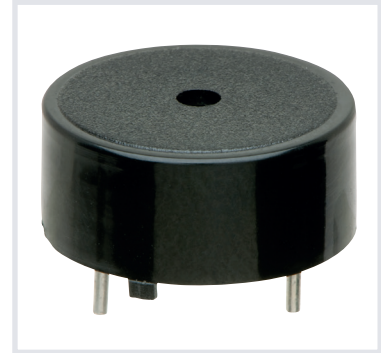
TERMINALS

Terminals	Solder pins 2 x \varnothing 0.8mm
Terminal Pitch	10mm
Terminal Length	40mm

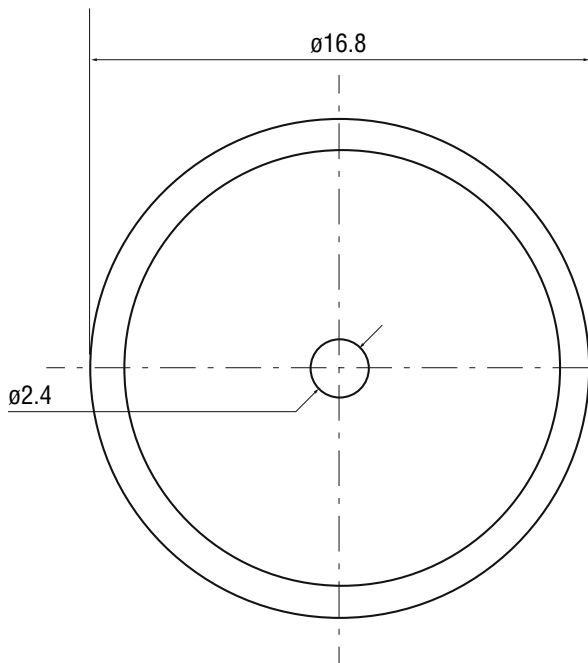
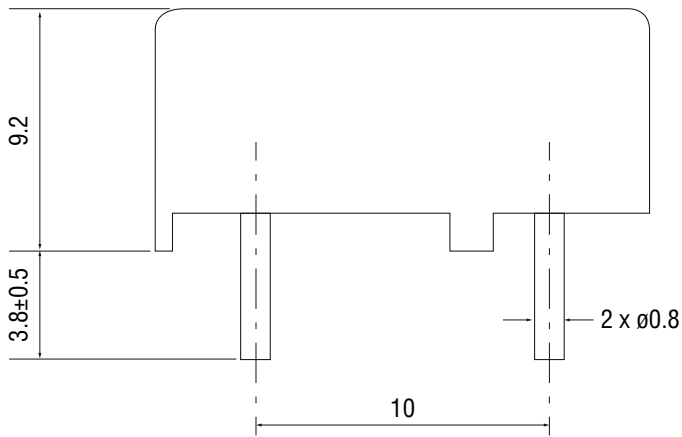


DIMENSIONS/DRAWINGS

Units	mm - unless stated otherwise
Dimensions	Ø16.8 x 8.0mm
Weight	2g

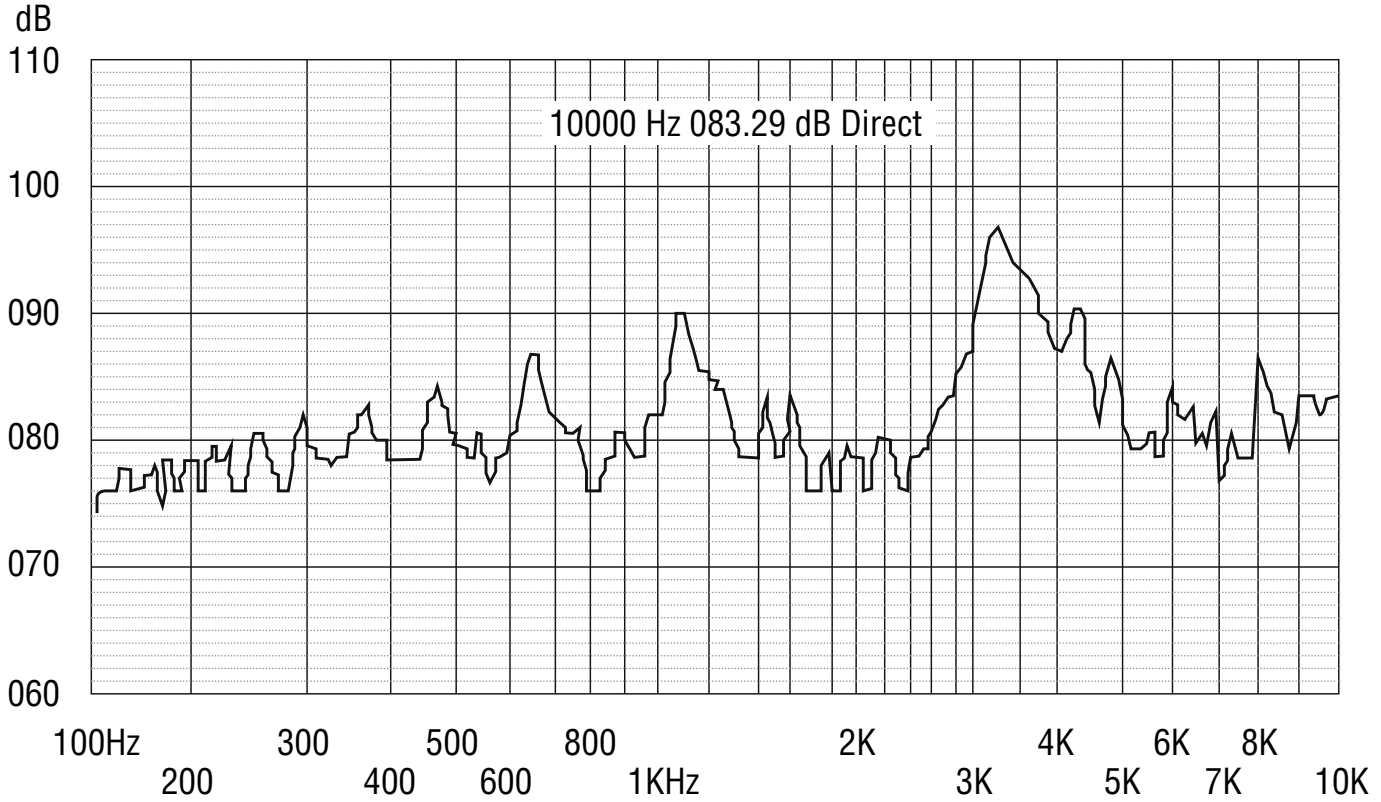


Side View



Top View

FREQUENCY RESPONSE
(Actual curve of type)



Applied voltage: 12 vp-p. 1/2 duty, square wave
 Distance for measurement: 10cm



PART NUMBER TABLE

Part Number	EAN	UNSPSC	Country of Origin
35-0901	5053556002108	41112101	China



Tried & trusted technology

Important Notice: This data sheet and its contents (the "Information") belong to Rapid Electronics Limited or are licensed to it. No licence is granted for the use of it other than for information purposes in connection with the products to which it relates. No licence of any intellectual property rights is granted. The Information is subject to change without notice and replaces all data sheets previously supplied. The Information supplied is believed to be accurate but Rapid Electronics Limited assumes no responsibility for its accuracy or completeness, any error in or omission from it or for any use made of it. Users of this data sheet should check for themselves the Information and the suitability of the products for their purpose and not make any assumptions based on information included or omitted. Liability for loss or damage resulting from any reliance on the Information or use of it (including liability resulting from negligence or where Rapid Electronics Limited were aware of the possibility of such loss or damage arising) is excluded. This will not operate to limit or restrict Rapid Electronics Limited's liability for death or personal injury resulting from its negligence.