

Miniature Piezo Transducer Ø30mm



DESCRIPTION

A piezo transducer that is able to generate a range of audible tones and frequencies when energised by a 12V peak square wave. When mounted rigidly, outputs of up to 80dB can be achieved.

DISTINCTIVE FEATURES

- Robust construction
- Non-polarised input
- Flying leads
- Mounting lugs
- Requires drive circuit
- Dimensions Ø30 x 5.7mm

APPLICATIONS

Designed for chassis mounting and suitable for use in professional, commercial and industrial applications for toys, clocks and watches, calculators and electronic games.

Ø 30
mm

12VDC

8mA

80dB



ELECTRICAL SPECIFICATION

Rated Voltage	12Vp-p Square wave
Voltage max.	30Vp-p Square wave
Rated current	8mA @ 4kHz/12Vp-p Square wave
Capacitance @ 120Hz	45nF



GENERAL SPECIFICATION

Type	Piezo transducer
Resonant Frequency	1.3kHz \pm 0.5kHz
Sound Pressure Level min.	80dB @ 1.3kHz/12Vp-p Square wave/30cm



MATERIALS

Material	ABS
Colour	Black



ENVIRONMENTAL/OPERATING SPECIFICATION

Operating Temperature	-20°C to +60°C
Storage Temperature	-30°C to +70°C



TERMINALS

Termination	Flying leads
Lead Length	150mm

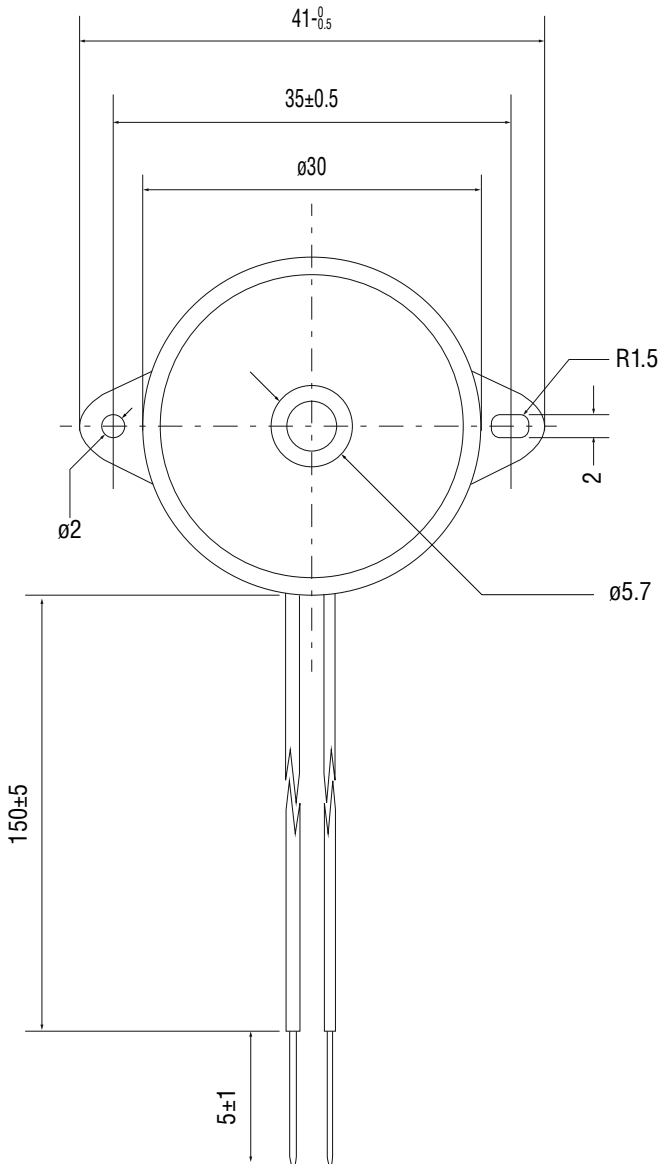


DIMENSIONS/DRAWINGS

Units	mm - unless stated otherwise
Dimensions	Ø30 x 5.7mm
Weight	3g

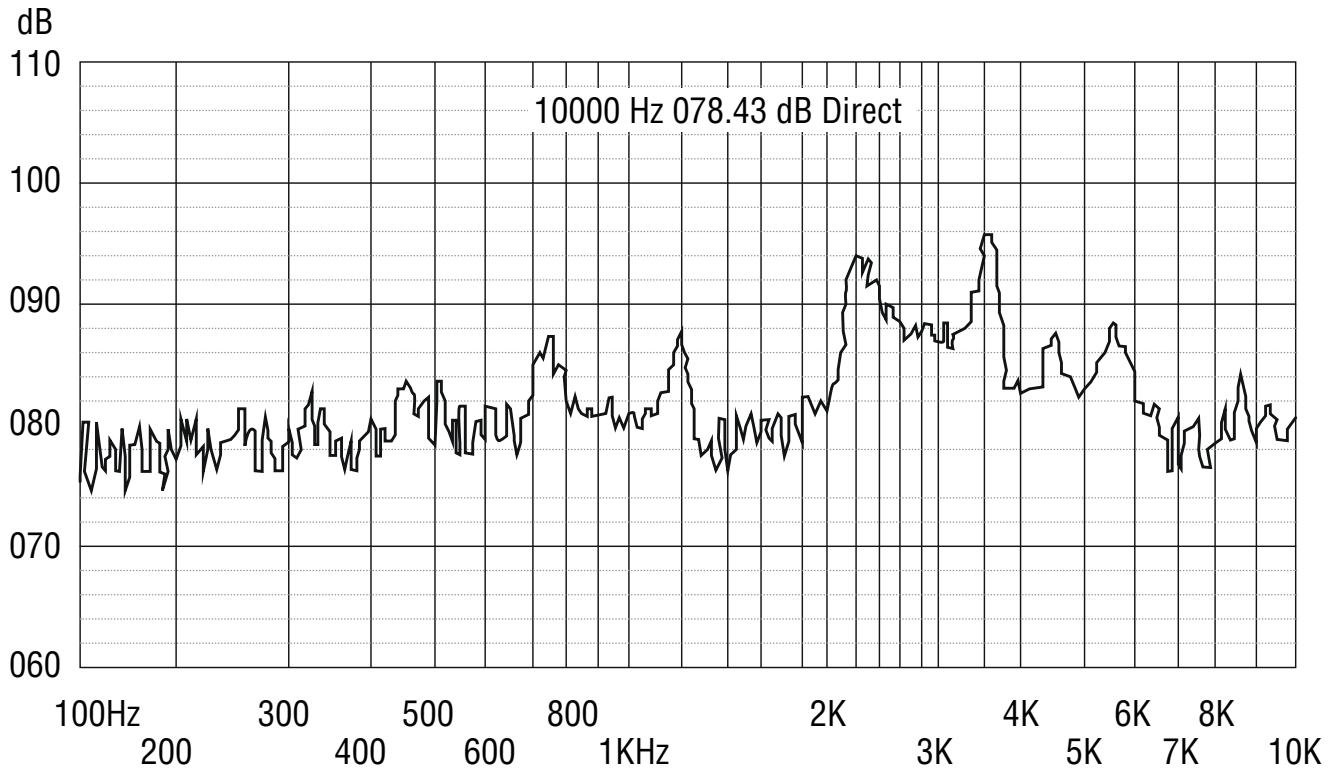


Side View



Top View

FREQUENCY RESPONSE
(Actual curve of type)



Applied voltage: 12 Vp-p, 1/2 duty, square wave
 Distance for measurement: 30cm



PART NUMBER TABLE

Part Number	EAN	UNSPSC	Country of Origin
35-0904	5053556002139	41112101	China



Tried & trusted technology

Important Notice: This data sheet and its contents (the "Information") belong to Rapid Electronics Limited or are licensed to it. No licence is granted for the use of it other than for information purposes in connection with the products to which it relates. No licence of any intellectual property rights is granted. The Information is subject to change without notice and replaces all data sheets previously supplied. The Information supplied is believed to be accurate but Rapid Electronics Limited assumes no responsibility for its accuracy or completeness, any error in or omission from it or for any use made of it. Users of this data sheet should check for themselves the Information and the suitability of the products for their purpose and not make any assumptions based on information included or omitted. Liability for loss or damage resulting from any reliance on the Information or use of it (including liability resulting from negligence or where Rapid Electronics Limited were aware of the possibility of such loss or damage arising) is excluded. This will not operate to limit or restrict Rapid Electronics Limited's liability for death or personal injury resulting from its negligence.