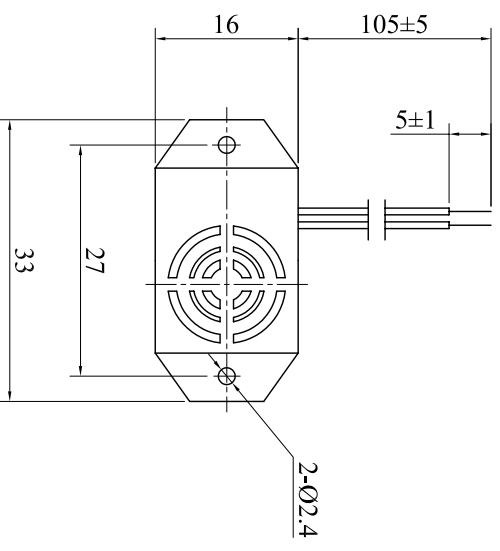
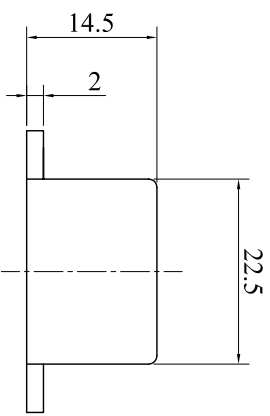


# SPECIFICATION

- 1. Rated Voltage ..... 12VDC
- 2. Operating Voltage ..... 9~15VDC
- 3. Max. Rated Current ..... 30mA at 12VDC
- 4. Resonant Frequency ..... 400±100Hz
- 5. Min. Sound Pressure Level..... 75dB at 12VDC/20cm
- 6. Response Time..... ≤50ms
- 7. Case Material ..... ABS
- 8. Operating Temperature ..... -20~+60°C
- 9. Store Temperature ..... -30~+70°C
- 10. Weight ..... 10g



|                                   |             |                 |          |  |          |
|-----------------------------------|-------------|-----------------|----------|--|----------|
|                                   |             |                 |          |  |          |
| No.                               | DESCRIPTION | APPROVED        | DATE     | <b>KEPO</b> NINGBO KEEP IMPROVING ELECTRONIC CO.,LTD<br><a href="http://www.chinaacoustic.com">http://www.chinaacoustic.com</a><br><b>Magnetic Buzzer</b><br><b>KPMB-2212L</b> |          |
| TOLERANCES UNLESS NOTED OTHERWISE |             | APPROVALS       | DATE     |  |          |
| XX.X                              | mm          | CHECKED         |          |  |          |
| XXX.X                             | mm          | APPROVED        | 03.01.15 |  |          |
| FIRST ANGLE PROJECTION            |             |                 |          |  |          |
|                                   |             |                 |          |  |          |
| UNIT                              | DWG NO.     | K P3.840.601.02 |          | SCALE  | VER. 1.0 |
| mm                                |             |                 |          |  |          |