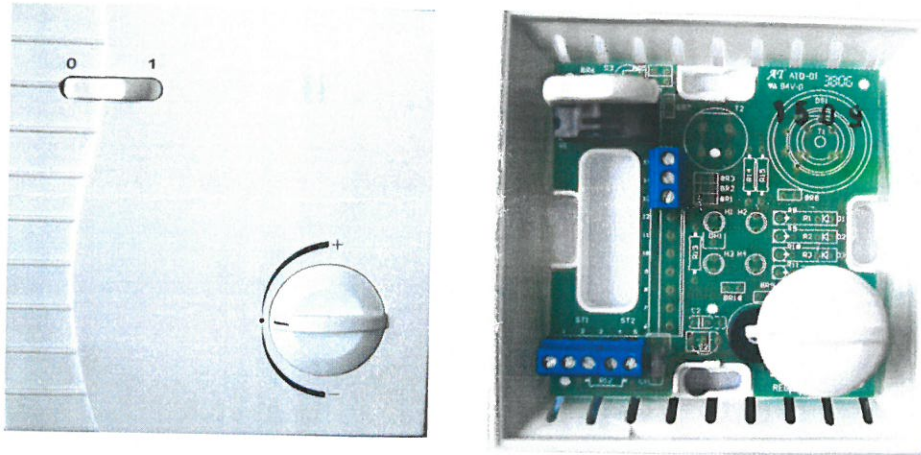


# RC1 (TC3 & TC8) Remote Control Unit

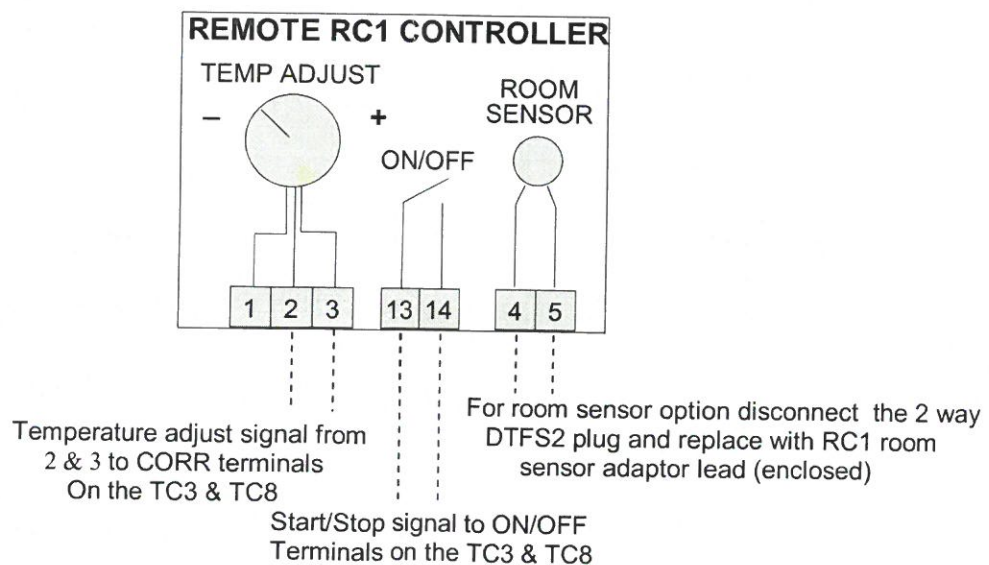


The RC1 is designed as a remote control unit to work in conjunction with Neatafan control systems and can be flush or surface mounted using the same fixing dimensions as a standard 2 gang electrical switch box.

An on-off switch is incorporated so that the user can turn off the system, allowing the timer to cool the elements. The temperature adjustment feature is designed to give an adjustment of – or + 4°C of the pre-set temperature on the main temperature controller, i.e. if the main controller is set to 20°C, the RC unit will adjust between a minimum of 16°C and a maximum of 24°C. With the control knob adjusted to the midpoint on the dial the preset temperature will be achieved.

A duct temperature sensor is provided within the DTFS2 with Neatafan TC3 & TC8 control systems, however this can be replaced with the room temperature sensor provided in the RC1 using the RC1 room sensor adaptor lead (enclosed).

Wiring: Four cores of 0.75mm<sup>2</sup> cable are ideal and can be run for 20m without difficulty. Do not, however use fine "data type" cables.



## NEATAFAN Limited

Unit 12 • Solent Industrial Estate • Shamblehurst Lane • Hedge End • Southampton • Hampshire • SO30 2FX  
 Tel: +44 (0)1489 783783 • Fax: +44 (0)1489 788048 • Email: [sales@neatafan.co.uk](mailto:sales@neatafan.co.uk)