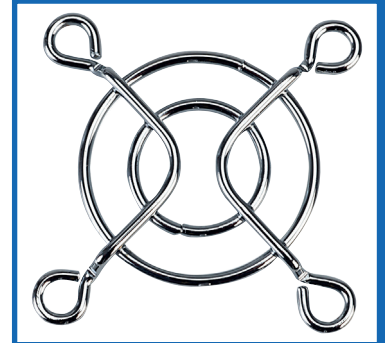


Wire Form Cooling Fan Guards



DESCRIPTION

A bright, robust fan guard.

DISTINCTIVE FEATURES

- Made from nickle-chrome electro plated steel
- Screw fixing
- Complies with UL, CSA & TUV requirements
- Suitable for use with Adda fans
- Other sizes available

APPLICATIONS

Suitable for applications where additional protection against finger entry is required for a variety of common fan sizes.

RoHS

REACH
Compliant



GENERAL SPECIFICATION

Series	General Purpose Fan Guards
Weld Joins Contact Strength	Spot welding Points to withstand minimum 88lbs (40Kgs.)
Suitable for box fan size	See part number table
Weight	See part number table



MATERIALS

Material	Rings & Ribs Steel wire BL1-195(C1008)
Finish	Surface: Electro plated Nickel-Chrome
Colour	Bright Nickel



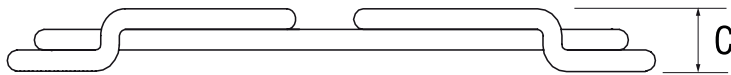
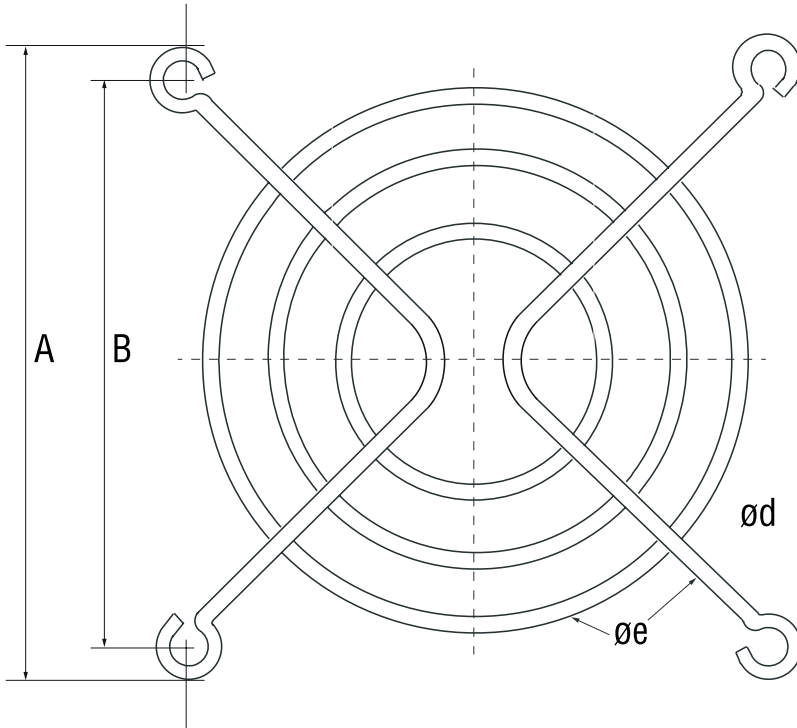
ENVIRONMENTAL/OPERATING SPECIFICATION

Complies to:	Complies with UL, CSA & TUV requirements
	RoHS
	REACH



DIMENSIONS/DRAWINGS

Dimensions	mm
------------	----



PART NUMBER TABLE

Order code	Fan size	Dimensions (mm)					Number of rings	Weight g
		A	B	C	ød (id)	øe		
37-0030	40	39.1	33.3	3.8	4.6	1.4	2	3.6
37-0031	50	48.9	42.0	4.8	4.6	1.6	3	6.0
37-0032	60	57.6	51.2	4.5	4.6	1.7	4	10.1
37-0033	80	79.1	72.9	5.7	4.6	1.7	5	20.0
37-0034	90	90.2	83.6	5.7	4.6	1.7	6	38.0
37-0035	120	115.5	105.6	5.7	4.6	1.7	8	40.3

Part Number	EAN	UNSPSC	Country of Origin
37-0030	5053556001521	40101605	Taiwan
37-0031	5053556001538	40101605	Taiwan
37-0032	5053556001545	40101605	Taiwan
37-0033	5053556001552	40101605	Taiwan
37-0034	5053556001569	40101605	Taiwan
37-0035	5053556001576	40101605	Taiwan



Tried & trusted technology

Important Notice: This data sheet and its contents (the "Information") belong to Rapid Electronics Limited or are licensed to it. No licence is granted for the use of it other than for information purposes in connection with the products to which it relates. No licence of any intellectual property rights is granted. The Information is subject to change without notice and replaces all data sheets previously supplied. The Information supplied is believed to be accurate but Rapid Electronics Limited assumes no responsibility for its accuracy or completeness, any error in or omission from it or for any use made of it. Users of this data sheet should check for themselves the Information and the suitability of the products for their purpose and not make any assumptions based on information included or omitted. Liability for loss or damage resulting from any reliance on the Information or use of it (including liability resulting from negligence or where Rapid Electronics Limited were aware of the possibility of such loss or damage arising) is excluded. This will not operate to limit or restrict Rapid Electronics Limited's liability for death or personal injury resulting from its negligence.