

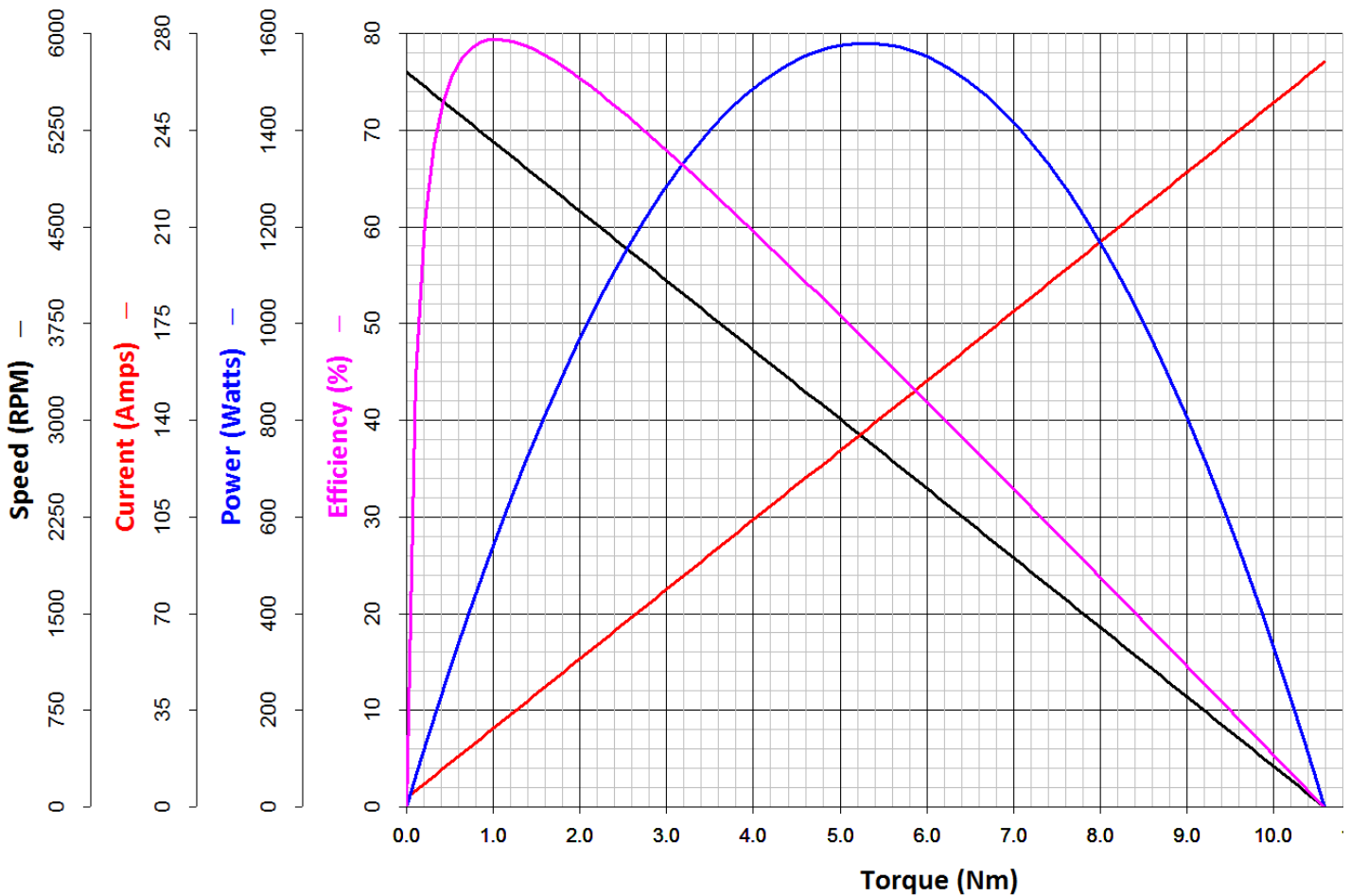


## Ampflow E30-400

Specification:

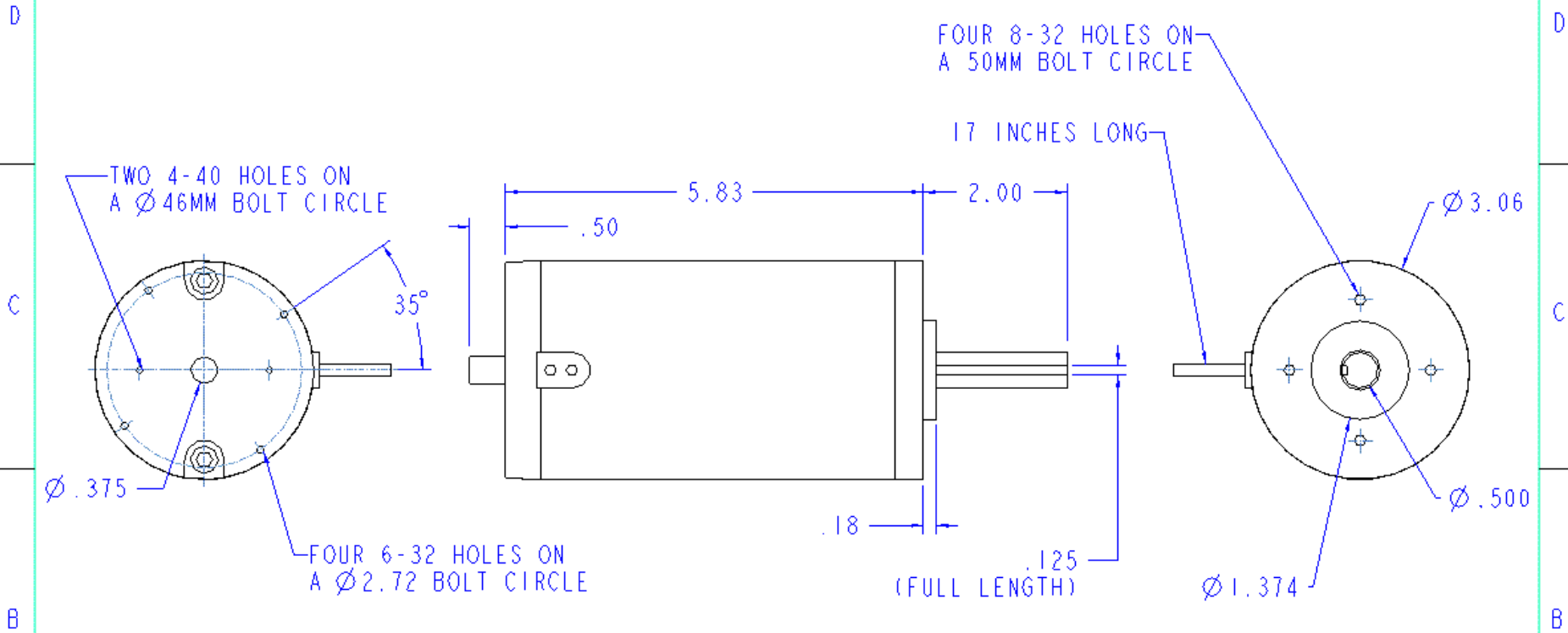
Diameter	79mm (3.1 in.)
Length	147mm (5.8 in.)
Peak Power	1.58kW (2.1hp)
Stall Torque	11nm (1500 oz-in)
Efficiency	79%
Nominal Voltage	24V
RPM @ 24V	5700
Shaft Diameter	12.7mm (1/2 in.)
Shaft Length	50.8mm (2 in.)
Keyway	3.175mm (1/8 in.)
Magnet Type	Ferrite
No Load Current	3.2A
Resistance	0.089Ω
Weight	2.7kg (5.9lbs)

### AmpFlow E30-400 24V



4 3 2 1

REVISIONS				
ECO	REV	DESCRIPTION	DATE	APPROVED



NOMINAL VOLTAGE: 24  
 NO-LOAD RPM: 5700  
 POLES: 4  
 MAGNETS: FERRITE

ITEM	PART NUMBER	DESCRIPTION	QTY
BILL OF MATERIAL			

POLYMER/RESIN UNLESS OTHERWISE NOTED		SIGNATURE		DATE
2 PLG	3 PLG	ANGLE	DETAIL	<input type="checkbox"/>
$\pm$	$\pm$	$\pm$	APP'D	<input type="checkbox"/>
REMOVE BARRS & SHARP EDGES			APP'D	<input type="checkbox"/>
SURFACE FINISH			THIRD ANGLE PROJECTION	<input checked="" type="checkbox"/>
DO NOT SCALE THIS DRAWING				
MATERIAL		DIMENSIONS ARE IN INCHES		
FINISH		SIZE	DRAWING NUMBER	REV
SCALE		1.000	SHEET 1 OF 1	

**Powerhouse Engineering**

**E30-400**

4 3 2 1