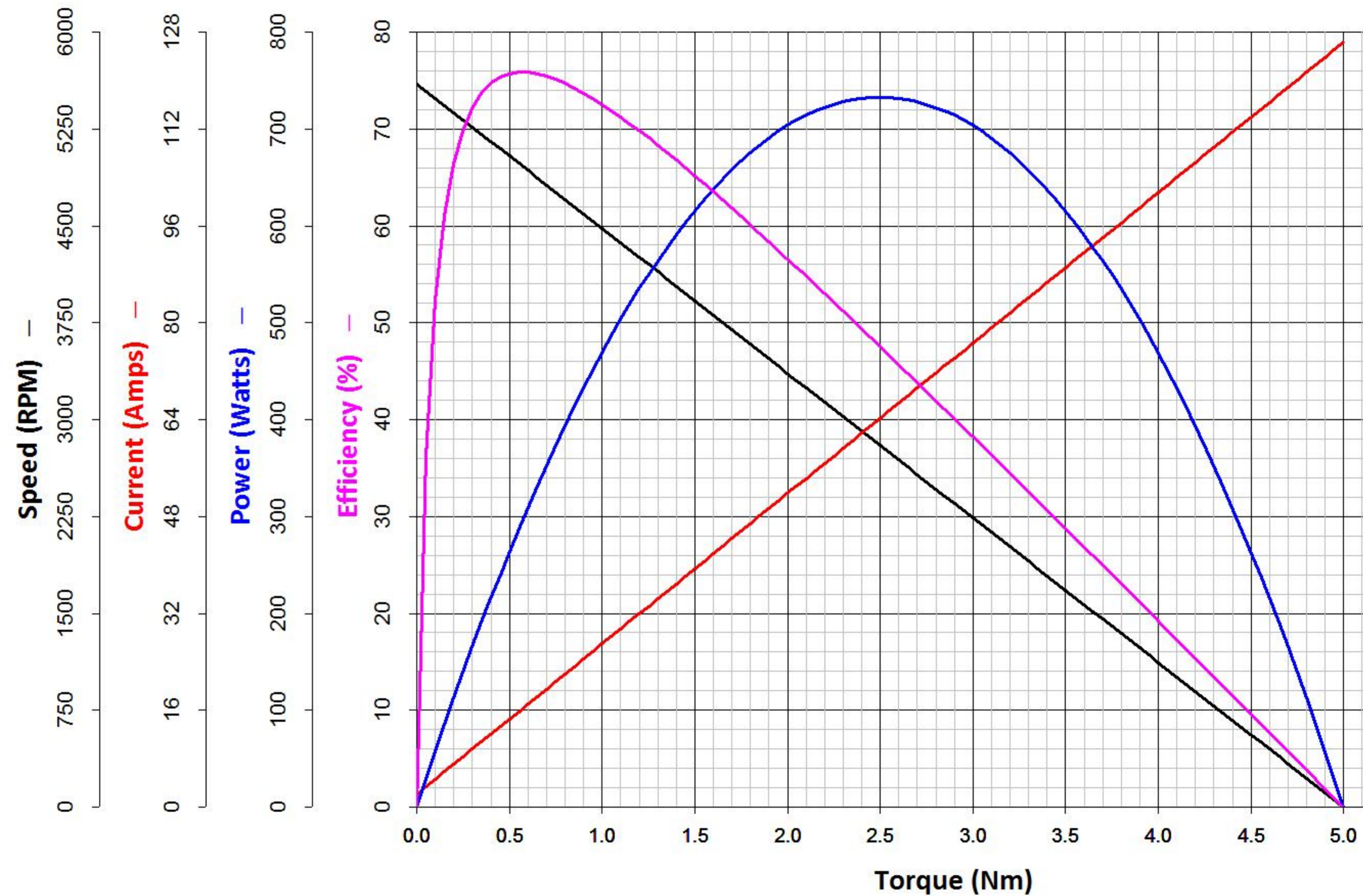
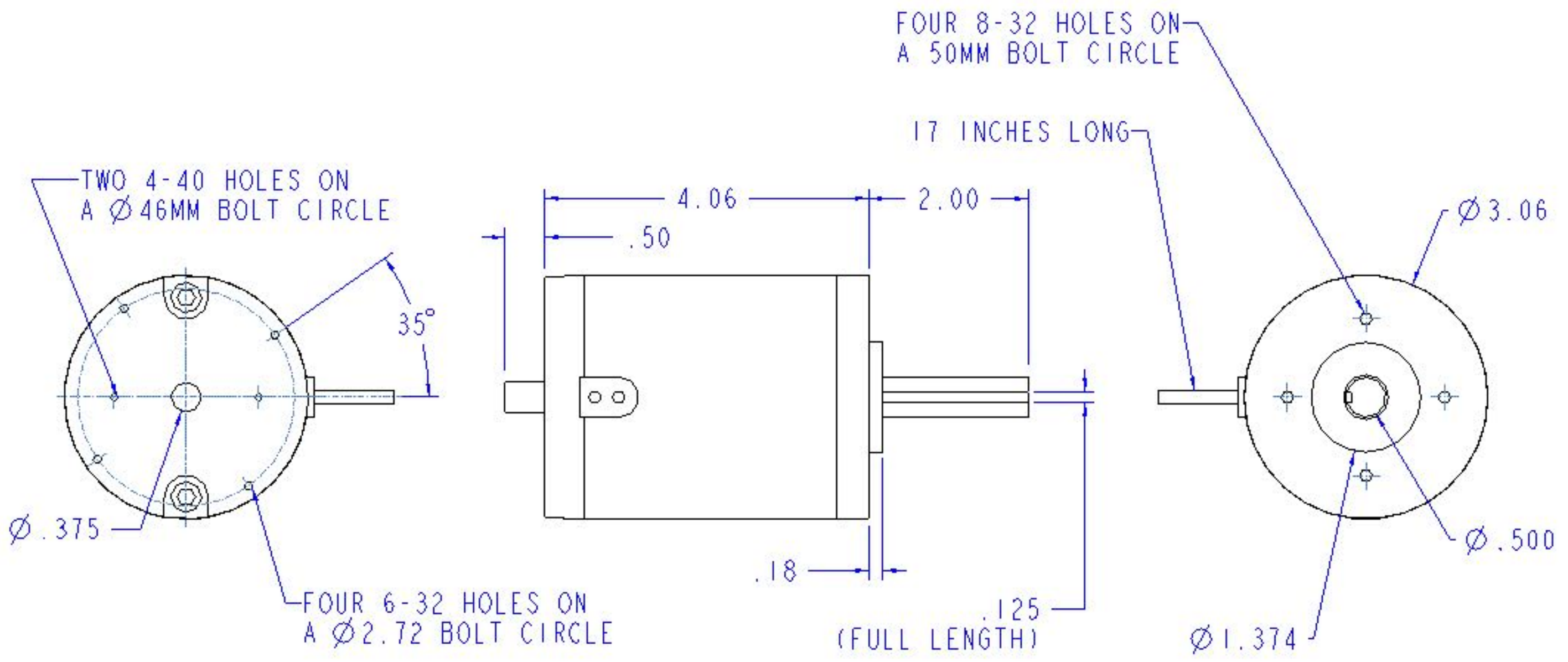


# AmpFlow E30-150 24V





REVISIONS				
ECO	REV	DESCRIPTION	DATE	APPROVED



NOMINAL VOLTAGE: 24  
 NO-LOAD RPM: 5600  
 POLES: 4  
 MAGNETS: FERRITE

ITEM	PART NUMBER	DESCRIPTION	QTY
BILL OF MATERIAL			

DO NOT SCALE THIS DRAWING	POLYLINEES UNLESS OTHERWISE NOTED		SIGNATURE	DATE
	2 PLC	3 PLC	ANGLE	DETAIL
MATERIAL	±	±	±	APP'D
	REMOVE BARRS & SHARP EDGES			APP'D
SURFACE FINISH		THIRD ANGLE PROJECTION		
FINISH				
DIMENSIONS ARE IN INCHES		SIZE C	DRAWING NUMBER	REV
SCALE 1.000		SHEET 1 OF 1		

**Powerhouse Engineering**  
**E30-150**