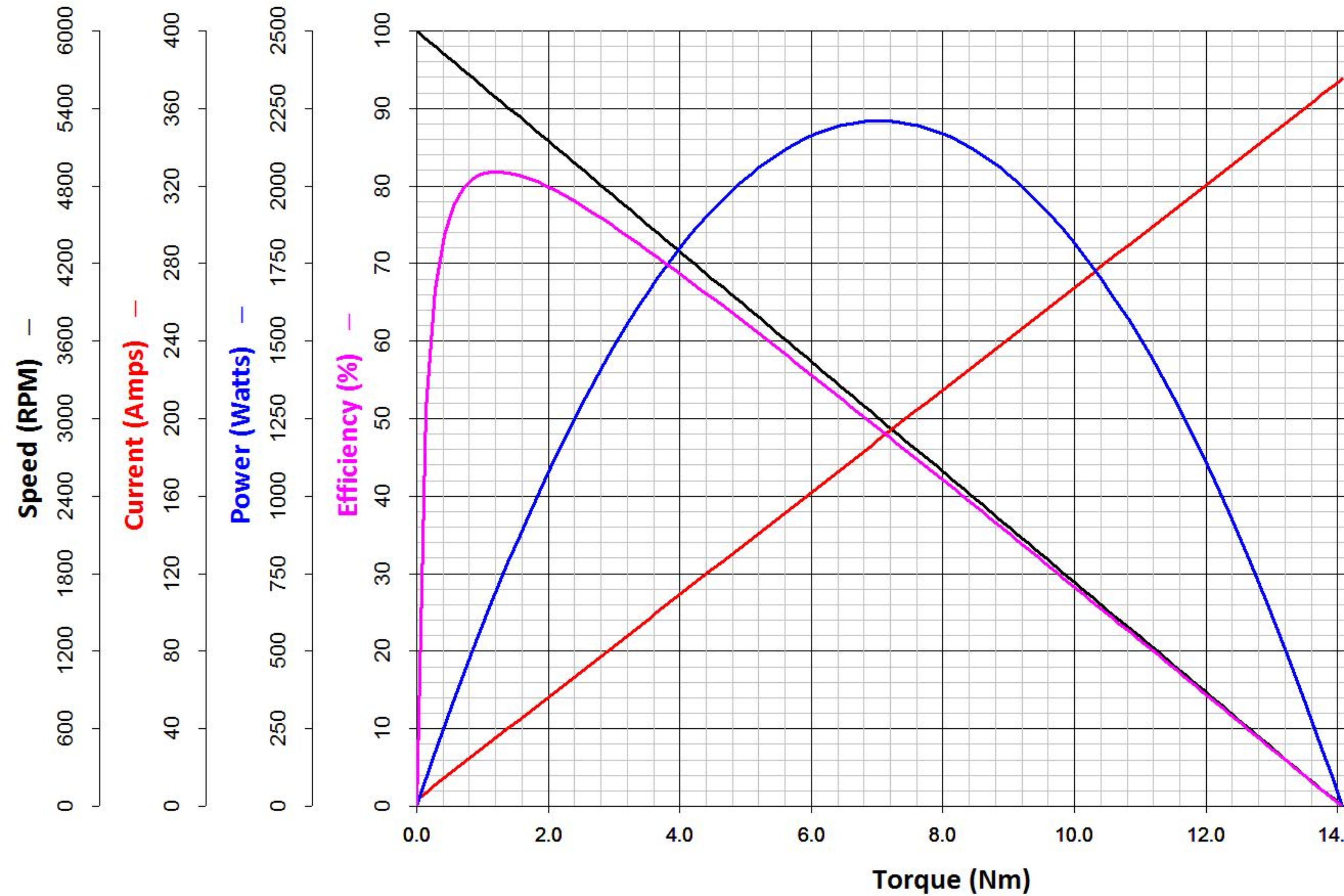
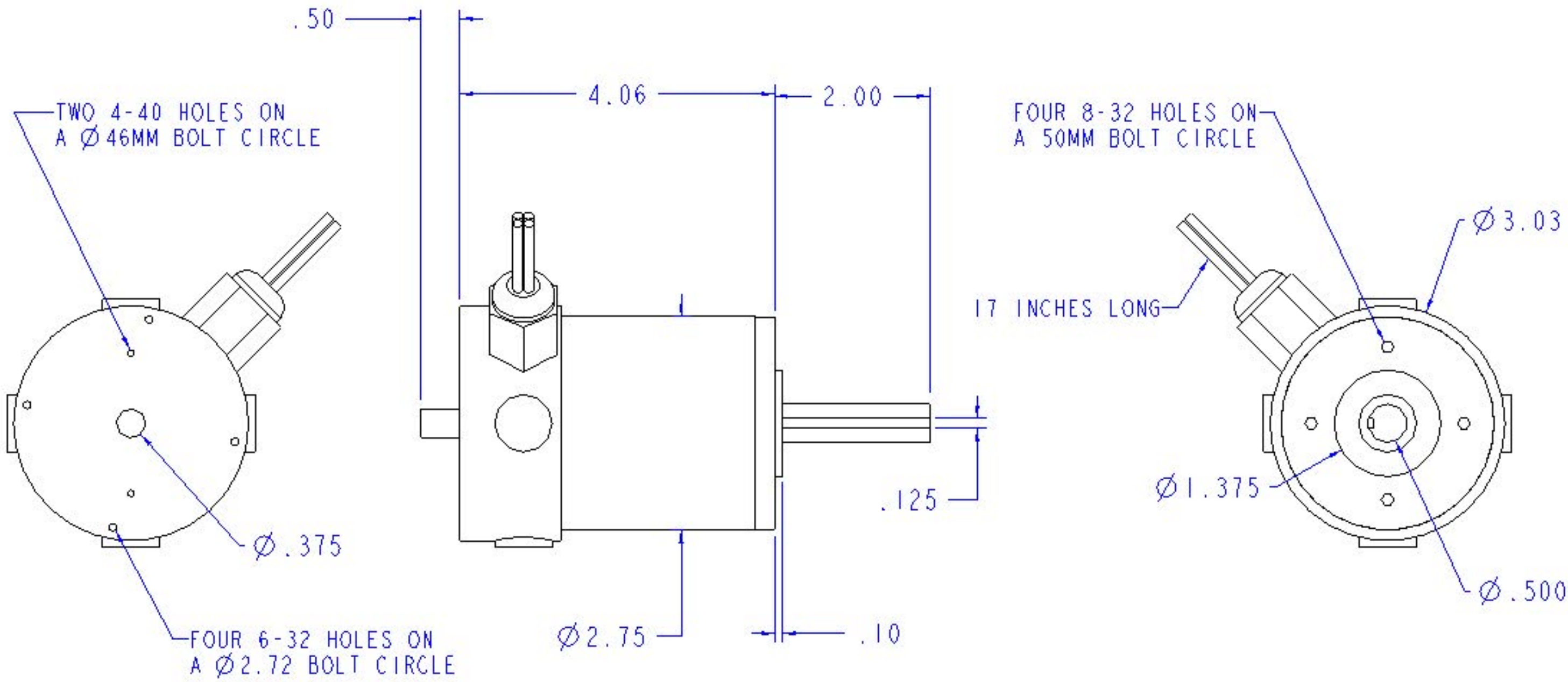


# AmpFlow A28-150 24V





REVISIONS				
ECO	REV	DESCRIPTION	DATE	APPROVLD



NOMINAL VOLTAGE: 24  
 NO-LOAD RPM: 6000  
 MOTOR WEIGHT: 3.8 LBS  
 MAGNETS: NEODYMIUM

ITEM	PART NUMBER	DESCRIPTION	QTY
BILL OF MATERIAL			

DO NOT SCALE THIS DRAWING	POLYCHICES UNLESS OTHERWISE NOTED		SIGNATURE	DATE
	2 PL	3 PL	ANGLE	DETAIL
MATERIAL	±	±	±	APP'D
	REMOVE BARRS & SHARP EDGES			APP'D
FINISH		THIRD ANGLE PROJECTION		
DIMENSIONS ARE IN INCHES		<b>Powerhouse Engineering</b>		
SIZE C		DRAWING NUMBER		REV
SCALE 1.000		<b>A28-150</b>		
		SHEET 1 OF 1		