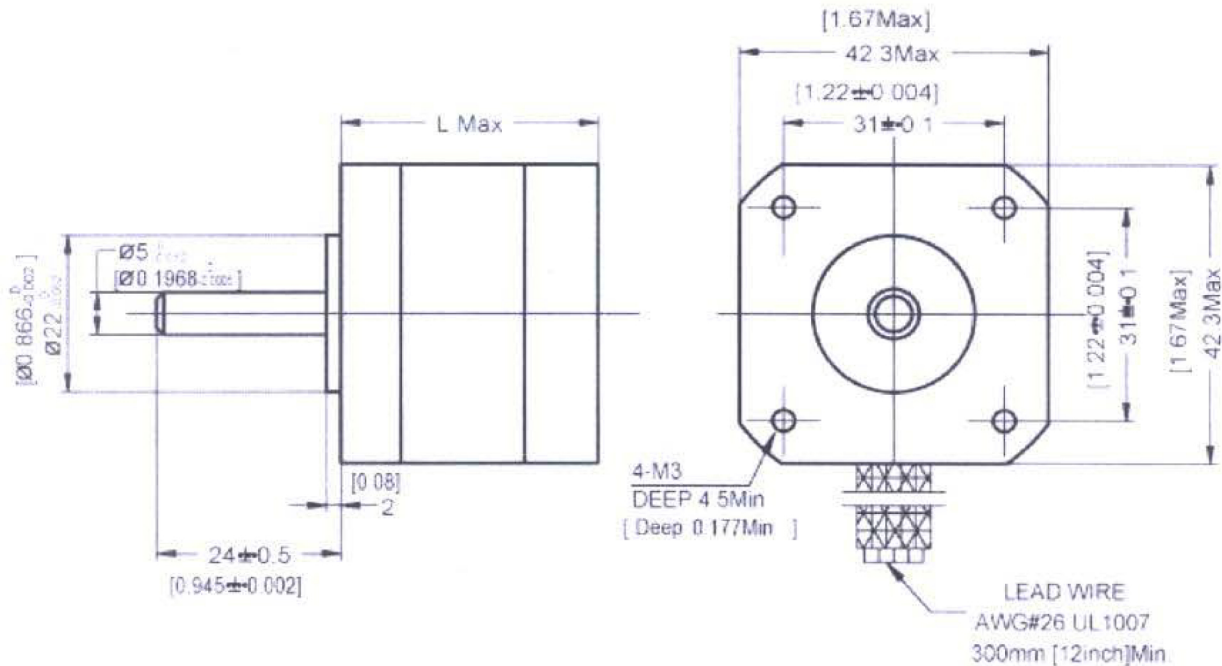


## Stepping Motor Type MY6403-02N



Specification		MY6403-02N
Step angle		1.8°
Step angle accuracy	%	5
Phase current	A	1.5
Phase resistance	Ω	2
Phase inductance	mH	3.85
Holding torque unipolar	Ncm	-
Holding torque bipolar	Ncm	54
Detent torque	Ncm	2.4
Rotor inertia	g cm <sup>2</sup>	82
Mass	Kg	0.36
Insulation class		B
Shaft configuration		Single
Number of leads		4
Length		48

All dimensions in mm

Issue 01 06/04