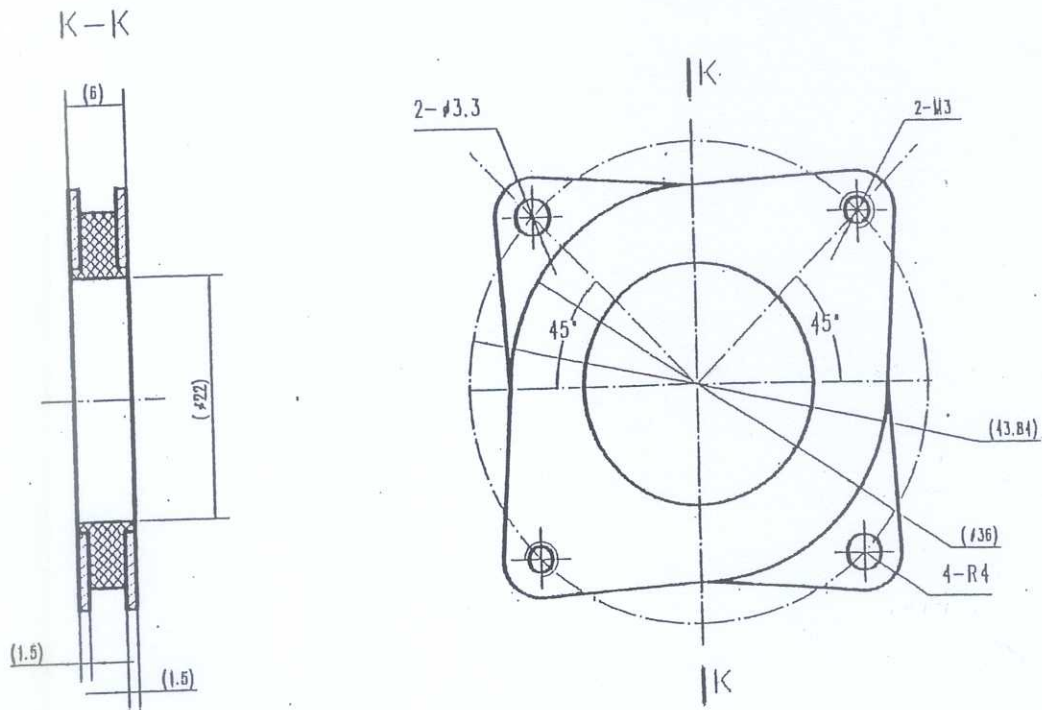


<b>Order code</b>	<b>Manufacturer code</b>	<b>Description</b>
37-0519	n/a	n/a

	Page 1 of 2
The enclosed information is believed to be correct, Information may change without notice due to product improvement. Users should ensure that the product is suitable for their use. E. & O. E.	Revision A 20/02/2007

# Technical Information

## Damper Type 37-0519



Metallic mounting plate with rubber inserts.

When fitted to size 16 or 17 Stepper motors the rubber inserts significantly reduce audible noise and resonance traditionally transmitted during operation.