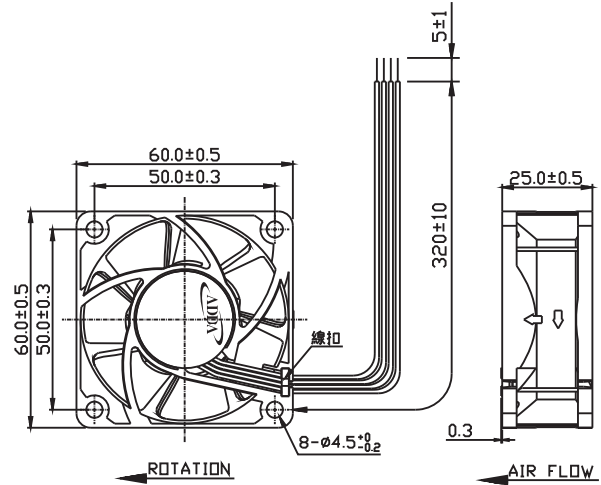




AG6025 SERIES

External Dimensions



Frame: Plastic(UL:94V-0)
 Impeller: Plastic(UL:94V-0)
 Lead wire: UL1061AWG26

Specifications(Nominal)

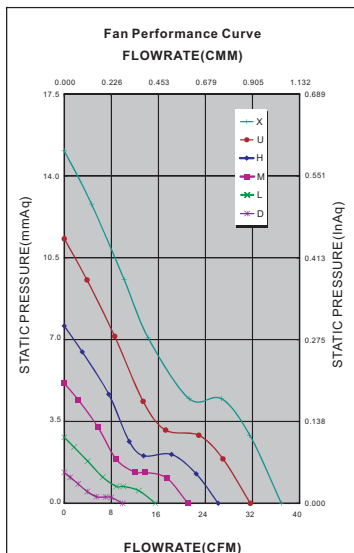
*Noise is measured at the distance of one (1) meter from the axis of intake.

Bearing type: ◎=Ball ※=Sleeve ●=Hypro bearing

Frame size (mm)	Model No.	Bearing System Type	Rated Voltage (VDC)	Current (A)	Power (W)	Rated Speed (rpm)	Maximum AirFlow (CMM) (CFM)	Maximum Pressure (InAq) (mmAq)	*Noise Level (dB/A)	Weight (g)
60x60x25	AG06005DB257B03	◎ ●	5	0.06	0.30	2000	0.280 9.920	0.052 1.320	17.5	62.0
	AG06005LB257B03	◎ ●	5	0.14	0.70	3000	0.440 15.500	0.111 2.820	23.6	
	AG06005MB257B03	◎ ●	5	0.26	1.30	4000	0.600 21.030	0.202 5.1300	29.3	
	AG06012DB257B03	◎ ●	12	0.04	0.48	2000	0.280 9.920	0.052 1.320	17.5	
	AG06012LB257B03	◎ ●	12	0.06	0.72	3000	0.440 15.500	0.111 2.820	23.6	
	AG06012MB257B03	◎ ●	12	0.10	1.20	4000	0.600 21.030	0.202 5.1300	29.3	
	AG06012HB257B03	◎ ●	12	0.16	1.92	5000	0.740 26.180	0.298 7.570	38.4	
	AG06012UB257B03	◎ ●	12	0.25	3.00	6000	0.900 31.640	0.445 11.300	42.7	
	AG06012XB257B03	◎ ●	12	0.38	4.56	7000	1.046 36.977	0.622 15.800	46.7	
	AG06024DB257B03	◎ ●	24	0.03	0.72	2000	0.280 9.920	0.052 1.320	17.5	
	AG06024LB257B03	◎ ●	24	0.04	0.96	3000	0.440 15.500	0.111 2.820	23.6	
	AG06024MB257B03	◎ ●	24	0.06	1.44	4000	0.600 21.030	0.202 5.1300	29.3	
	AG06024HB257B03	◎ ●	24	0.10	2.40	5000	0.740 26.180	0.298 7.570	38.4	
	AG06024UB257B03	◎ ●	24	0.12	2.88	6000	0.900 31.640	0.445 11.300	42.7	
AG06024XB257B03	◎ ●	24	0.18	4.32	7000	1.046 36.977	0.622 15.800	46.7		

Specifications subject to change without notice.

The specification for bearing type is for reference only, for more bearing types information, please contact with your ADDA sales representative, thanks!!
 (網頁上呈現產品軸承資訊均以參考為主, 若需其他產品資訊請聯絡您在ADDA的業務代表, 謝謝!!)



*Motor protective circuit and third lead wire functions

0	1	2	3	4	6	7	8	9	A	B	F
✓	✓	✓	✓		✓			✓		✓	✓

*Safety approvals

✓	✓		✓	✓