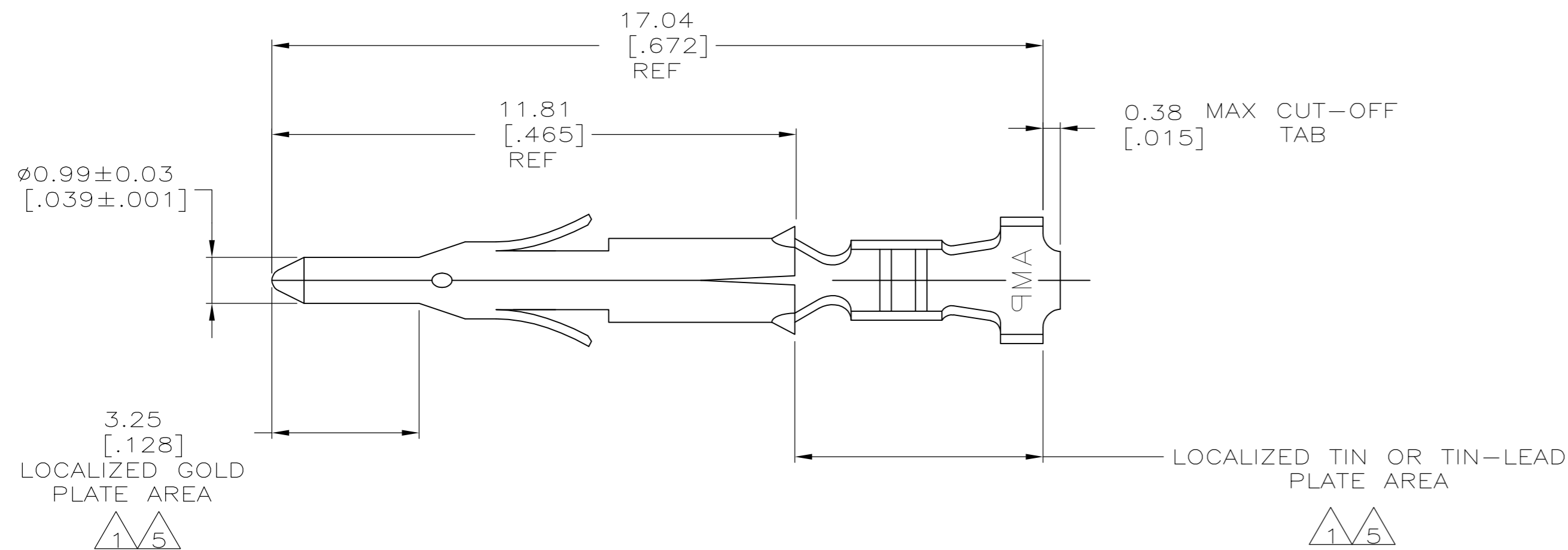
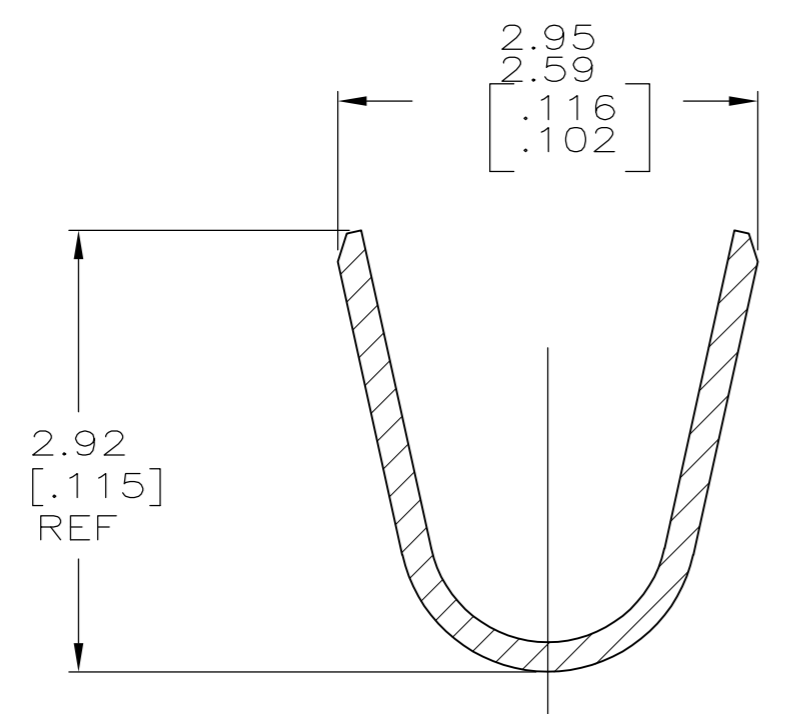
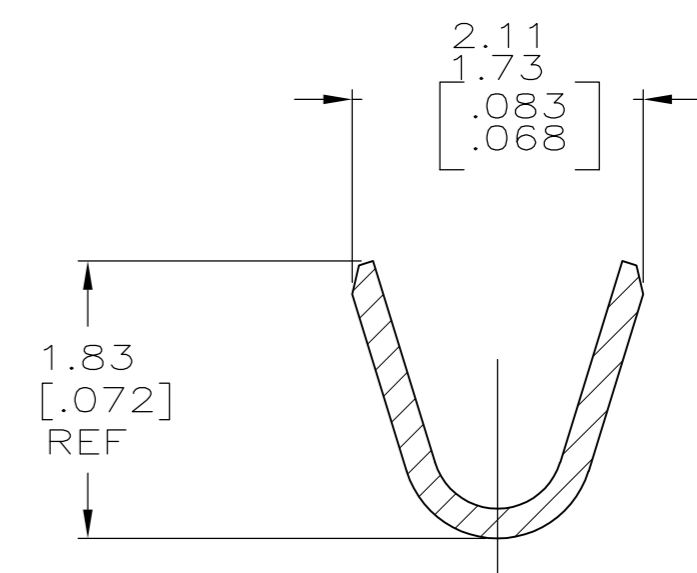
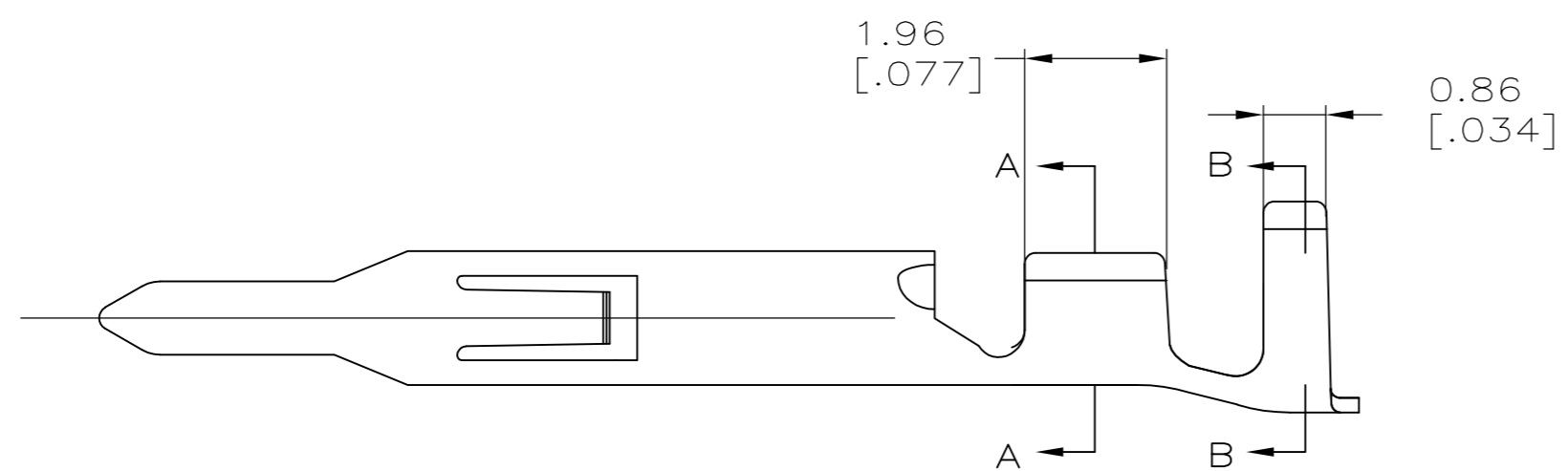


THIS DRAWING IS UNPUBLISHED. RELEASED FOR PUBLICATION
 © COPYRIGHT - By - ALL RIGHTS RESERVED.

LOC	DIST	REVISIONS			
P	LTR	DESCRIPTION	DATE	DWN	APVD
CM	00	G1	REVISED PER ECO-11-004820	11MAR11	RK HMR



- 1. 0.00076 [.000030] MIN GOLD IN LOCALIZED GOLD PLATE AREA AND 0.00254 [.000100] MIN BRIGHT TIN-LEAD IN LOCALIZED TIN-LEAD PLATE AREA OVER 0.0013 [.000050] MIN NICKEL.
- 2. WIRE RANGE: 0.12 - 0.4mm² (26-22 AWG).
- 3. INSULATION RANGE: 1.20-1.75 [.047-.069] DIA.
- 4. DIMENSIONS IN BRACKETS ARE IN INCHES.
- 5. 0.00076 [.000030] MIN GOLD IN LOCALIZED GOLD PLATE AREA AND 0.00254 [.000100] MIN BRIGHT TIN IN LOCALIZED TIN PLATE AREA OVER 0.0013 [.000050] MIN NICKEL.



5	0.20 [.008] BRASS	1-770985-0
1	0.20 [.008] BRASS	770985-3
PRE-TIN	0.20 [.008] BRASS	770985-1
FINISH	MATERIAL	PART NUMBER

THIS DRAWING IS A CONTROLLED DOCUMENT.

DIMENSIONS: mm [INCHES]	TOLERANCES UNLESS OTHERWISE SPECIFIED:	DWN S. HOOVER 05MAR03		
	0 PLC ± -	CHK C. JONES 05MAR03		NAME
	1 PLC ± -	APVD C. JONES 05MAR03		PIN, LOOSE PIECE
	2 PLC ± 0.13[.005]	PRODUCT SPEC		MINI UNIVERSAL MATE-N-LOK(TM)
	3 PLC ± -	APPLICATION SPEC	SIZE A2 CAGE CODE 00779 DRAWING NO 770985	
MATERIAL	FINISH	WEIGHT -	RESTRICTED TO -	
CUSTOMER DRAWING		SCALE 10:1	SHEET 1 of 1	

METRIC