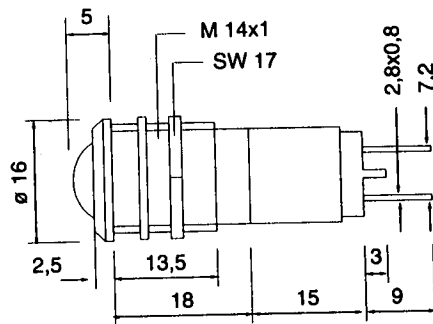


## Filament Lamps

Order code	Manufacturer code	Description
42-0980	19210253	12V HE RED 10MM CHROME LED
42-0981	19210251	12V GREEN 10MM CHROME LED
42-0982	19210252	12V YELLOW 10MM CHROME LED
42-0983	19210353	24V HE RED 10MM CHROME LED
42-0984	19210351	24V GREEN 10MM CHROME LED
42-0985	19210352	24V YELLOW 10MM CHROME LED
42-0986	19211253	12V HE RED 10MM BLACK LED
42-0987	19211251	12V GREEN 10MM BLACK LED
42-0988	19211252	12V YELLOW 10MM BLACK LED
42-0989	19211353	24V HE RED 10MM BLACK LED
42-0990	19211351	24V GREEN 10MM BLACK LED
42-0991	19211352	24V YELLOW 10MM BLACK LED

Filament Lamps	Page 1 of 2
The enclosed information is believed to be correct, Information may change 'without notice' due to product improvement. Users should ensure that the product is suitable for their use. E. & O. E.	Revision A 04/07/2003

## 10MM INDICATORS WITH INTEGRAL RESISTOR



**Dimensions**

Operating Temperature (T<sub>OP</sub>): -55°C - +70°C  
 Storage Temperature (T<sub>STG</sub>): -55°C - +100°C

Case Colour	Voltage	LED Colour	MCD IF = 20mA
Bright Chrome	12V	HE Red	90
Bright Chrome	12V	Green	30
Bright Chrome	12V	Yellow	35
Bright Chrome	24V	HE Red	70
Bright Chrome	24V	Green	22
Bright Chrome	24V	Yellow	25
Black Chrome	12V	HE Red	90
Black Chrome	12V	Green	30
Black Chrome	12V	Yellow	35
Black Chrome	24V	HE Red	70
Black Chrome	24V	Green	22
Black Chrome	24V	Yellow	25