

Alpha 16

Miniature WiFi / WLAN Adhesive Antenna

Key Features

- 2.4GHz WiFi Antenna
- Miniature footprint – 35.5 x 39.9mm
- Adhesive Base
- 2dBi Gain



General Description

The Alpha 16 is a slim, WiFi dedicated antenna. Its miniature design with a footprint size of 35.5 x 39.9mm. This antenna will fit discreetly onto most surfaces, whether that is on a work top or side of a wireless modem. It is supplied with a 3M adhesive base, making this antenna perfect for quick, simple installations onto a number of different surface materials such as: metal, glass, wood and plastic.

The Alpha 16 is tuned to operate within the 2.4 to 2.5GHz frequencies, making this antenna perfect for WiFi, Bluetooth and Zigbee applications. The Alpha 16 achieves a reputable peak gain of 4.73dBi, helping to improve the short range signal transmission/reception of WiFi modems, Bluetooth gadgets or even low power ZigBee sensors.

The Alpha 16 is supplied, as standard, with 1m of RG174 coaxial cable, terminated with a reverse polarity SMA male connector. Custom cable lengths and alternative connector types can be supplied for volume orders.

Additional Considerations

- Help clear up WiFi 'dead spots'
- Miniature footprint size allows for internal / embedded integration
- Strong adhesive base for simple installation
- Omni directional radiation to ease installation
- RoHS Compliant

Alpha 16

Miniature WiFi / WLAN Adhesive Antenna

Key Specifications - Electrical

Operating temperature:	-40 to +60°C
Impedance:	50 ohm
Peak Gain:	4.73 dBi
VSWR:	≤2.0
Frequency range:	2400 - 2483MHz
Polarisation:	Linear

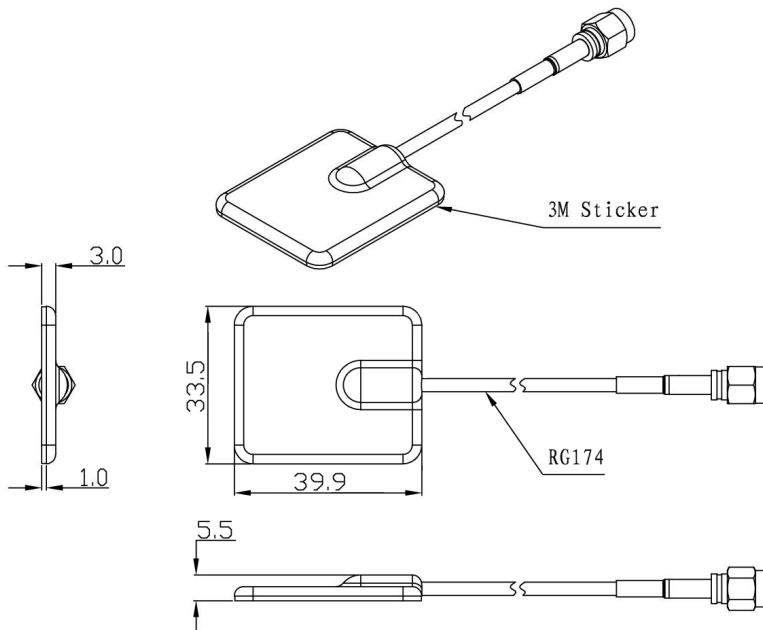
Key Specifications - Mechanical

Dimensions:	33.5 x 39.9 x 3mm
Cable:	RG174
Connector:	SMA
Mounting method:	Adhesive pad

Gain

WiFi

2400MHz	4.73dBi
2500MHz	2.98dBi



Ordering Details

Part Number	Description
ALPHA16/1M/SMAM/S/RP/17	WiFi Adhesive Antenna, 1m Cable, SMA Male Reverse Polarity Connector
ALPHA16/3M/SMAM/RP/RA/17	WiFi Adhesive Antenna, 3m Cable, SMA Male Reverse Polarity Right Angle Connector