

## Delta 20

Wireless LAN and Bluetooth 'Stubby' Antenna

### Key Features

- Wireless LAN and Bluetooth frequencies
- Compact 28.5mm length
- SMA Male/SMA Male Reverse Polarity connector
- Groundplane independent
- Wide operating temperature range



### General Description

The Delta 20 is a compact, direct connect 2.4GHz stubby antenna at 28.5mm long including the connector. This antenna is available with the SMA male and the reverse polarity SMA male connectors. This range of very compact 2.4GHz direct connect antennas is likely to be dominant in the stubby antenna market given their performance and size.

The Delta 20 is commonly used with WiFi, Bluetooth and Zigbee applications. The antenna can be used with IoT industrial modems and routers as well as WiFi modems such as TP-Link and NetGear that operate on the 2.4GHz frequency.

### Additional Considerations

- Ensures antenna can be discretely mounted
- Does not rely on mounting on metallic surface
- WiFi, Bluetooth and ZigBee compatible
- Direct device connection
- Omnidirectional radiation

## Delta 20

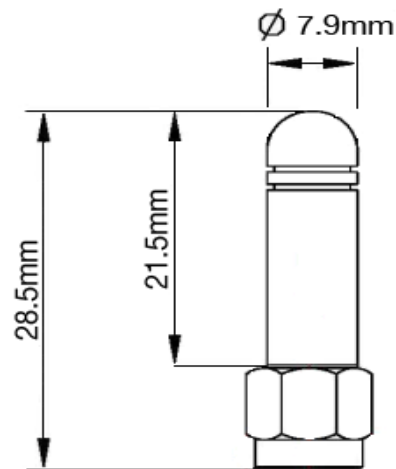
Wireless LAN and Bluetooth 'Stubby' Antenna

### Electrical Specification

Impedance:	50 ohm
Gain:	0dBi
VSWR:	<2
Frequency:	2.4GHz - 2.5GHz
Electric wave:	1/4 monopole antenna

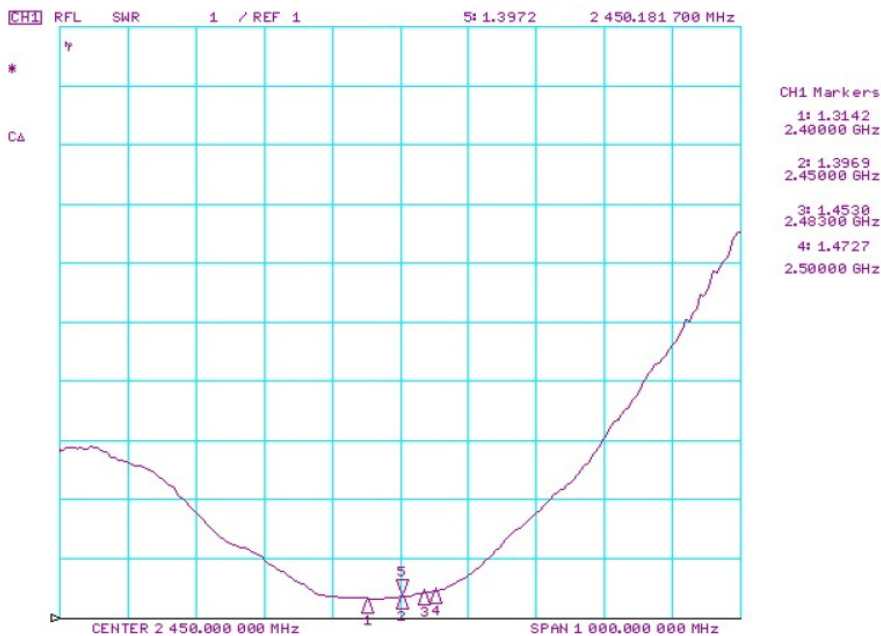
### Mechanical Specification

Dimensions:	28.5mm length
Connector:	SMA Male / SMA Male RP
Mounting method:	Direct connect



### Test Data

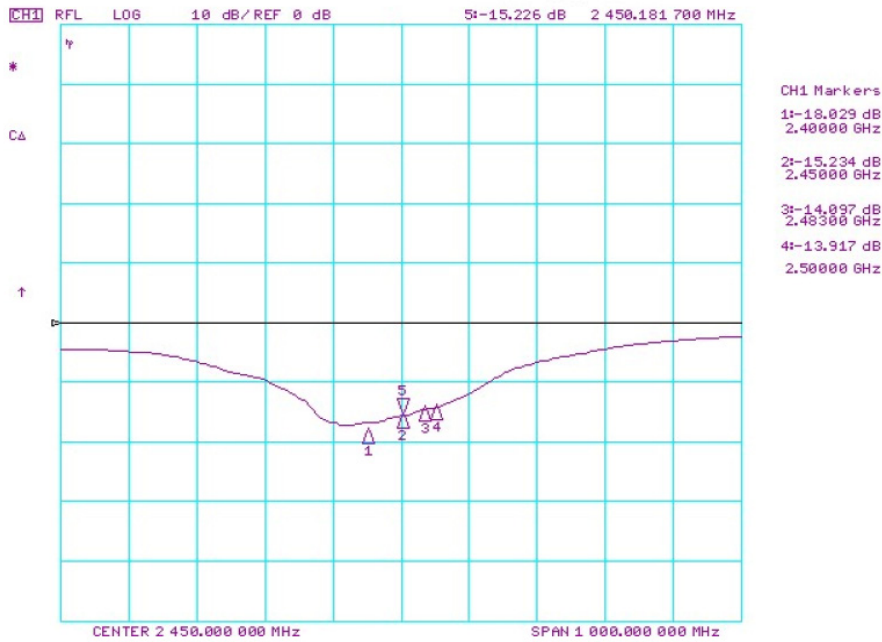
#### VSWR



## Delta 20

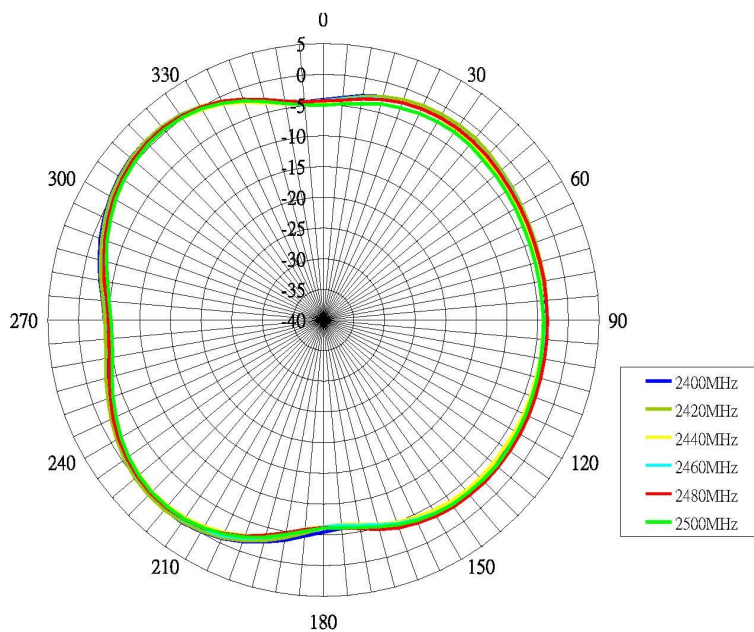
Wireless LAN and Bluetooth 'Stubby' Antenna

### Return Loss



### Radiation Patterns

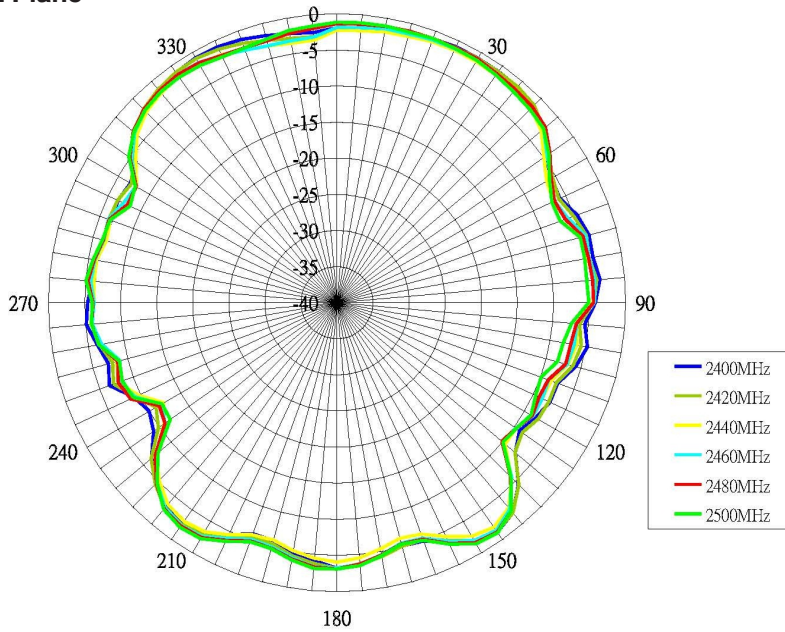
#### XY Plane



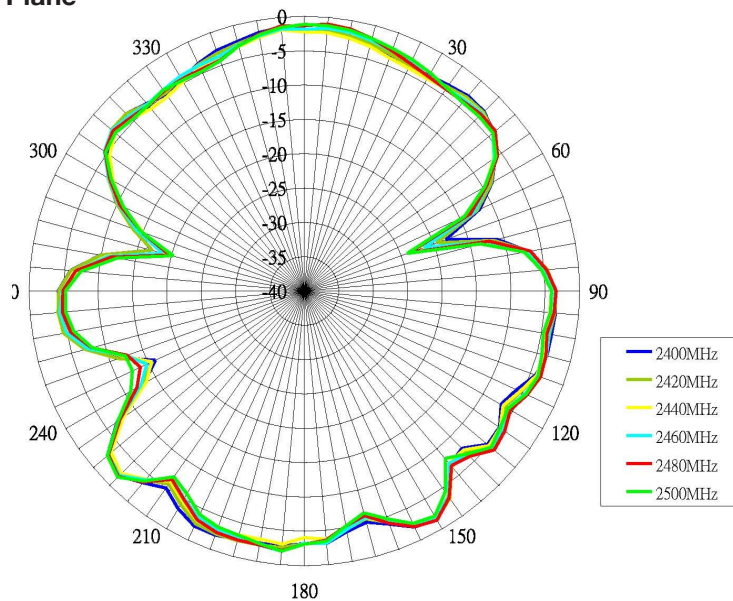
## Delta 20

Wireless LAN and Bluetooth 'Stubby' Antenna

### XZ Plane



### YZ Plane



### Ordering Details

Part Number	Description
DELTA20/X/SMAM/S/S/35	Wireless LAN and Bluetooth 'Stubby' Antenna, SMA Male
DELTA20/X/SMAM/RP/S/35	Wireless LAN and Bluetooth 'Stubby' Antenna, SMA Male RP