

Oscar 420

3G/4G/WiFi MIMO Omni-directional Antenna



Key Features

- Weatherproof and UV Resistant
- MIMO Antenna
- Excellent peak gain at higher frequencies

General Description

The Oscar 420 is a great antenna covering many popular frequencies in use today.

Its radome is UV resistant and waterproof making it a great outdoor antenna.

Fitted with 0.4M RG58 tails ready for connection to standard or low loss cable for extended distance to the Transmitter/ Receiver.

The Oscar 420 is fitted with an aluminium bracket for wall mounting and comes supplied with a clamp for fitting to a standard mast.

Additional Considerations

- Waterproof and UV resistant
- Covers a wide range of frequencies

Oscar 420

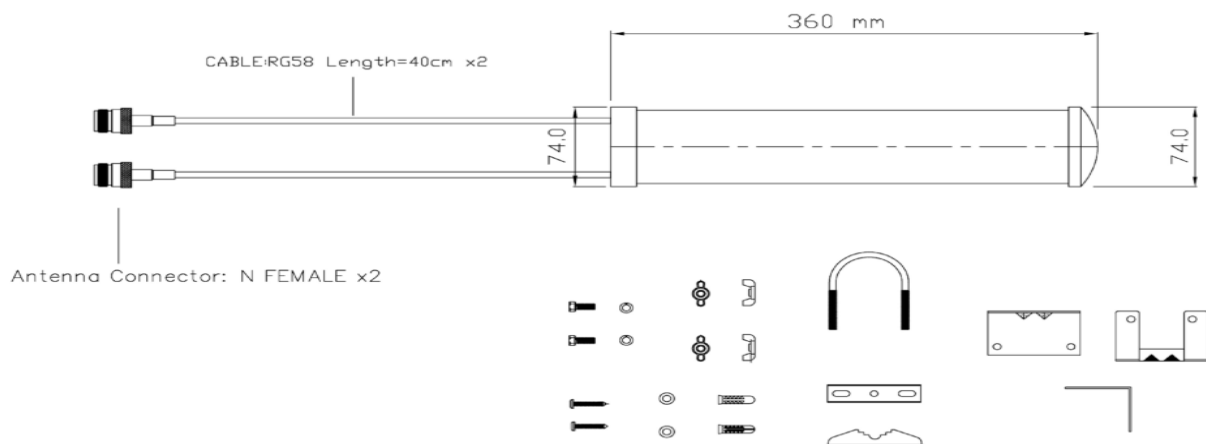
3G/4G/WiFi MIMO Omni-directional Antenna

Key Specifications - Electrical

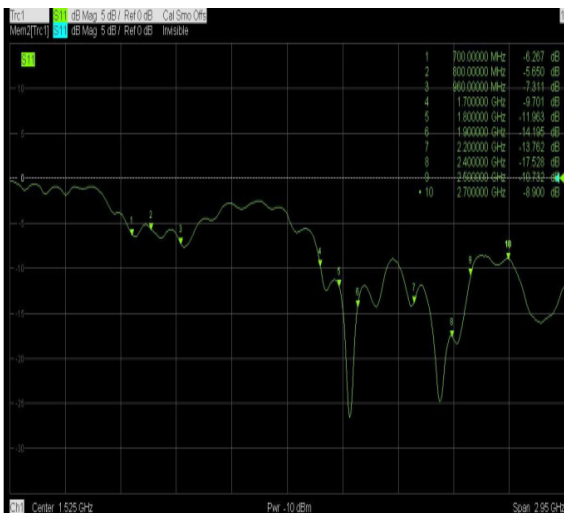
Temperature range:	-30 - +70°C
Gain:	700-960MHz 3dBi 1700-2700MHz 7dBi
VSWR:	<=3.2
Frequency range:	700-960MHz 1700-2700MHz
Polarization:	Vertical
Wind Load:	120Km/h

Key Specifications - Mechanical

Dimensions:	L360 x W74 x H74mm Ø
Connector:	N Female x2
Cable:	RG58
Mounting method:	U-bolts



Antenna 1 Return Loss



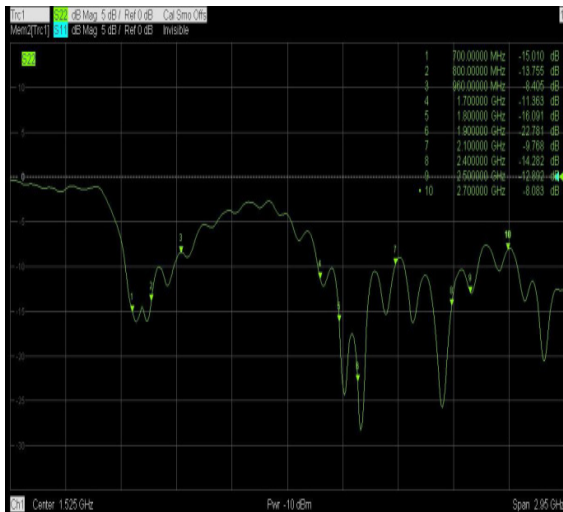
VSWR



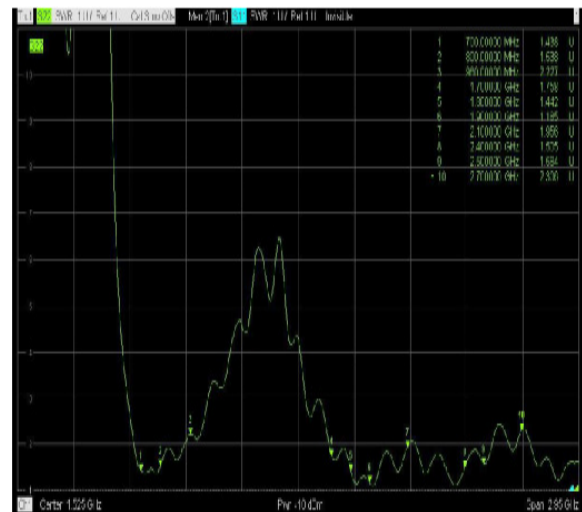
Oscar 420

3G/4G/WiFi MIMO Omni-directional Antenna

Antenna 2 Return Loss



VSWR



Ordering Details

Part Number	Description
-------------	-------------

OSCAR420/0.4M/NTYPEF/S/S/19	3G/4G/WiFi MIMO Omni-directional antenna
-----------------------------	--

A member of the Olancha Group Ltd
Registered in England No. 08405712
VAT Registration No. GB163 04 0349

Siretta Ltd
Basingstoke Road
Spencers Wood
Reading
Berkshire RG7 1PW

sales +44(0)118 976 9014
fax +44(0)118 976 9020
email sales@siretta.co.uk
web www.siretta.co.uk

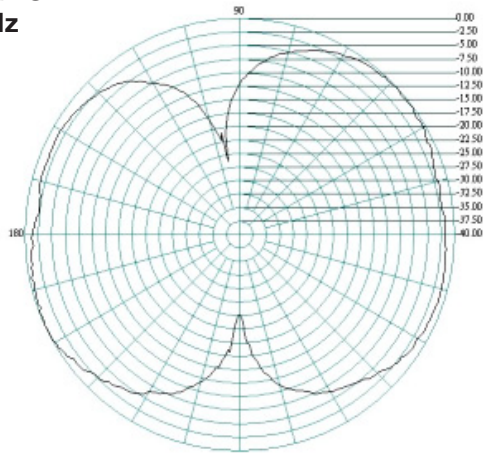
Rev 1.0

Oscar 420

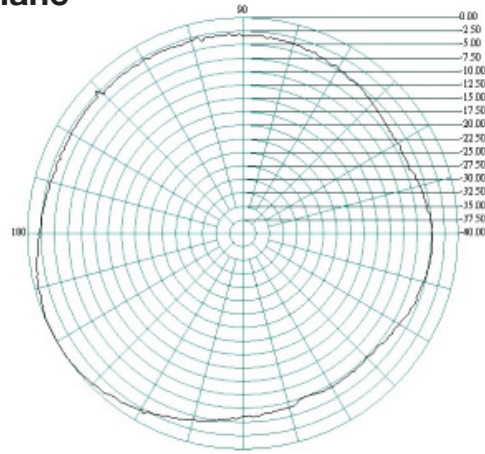
3G/4G/WiFi MIMO Omni-directional Antenna

Radiation Patterns Antenna 1

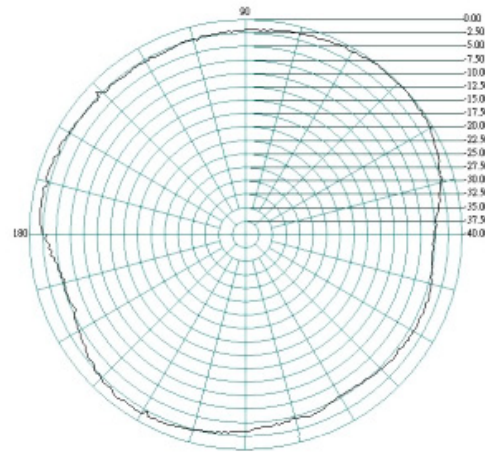
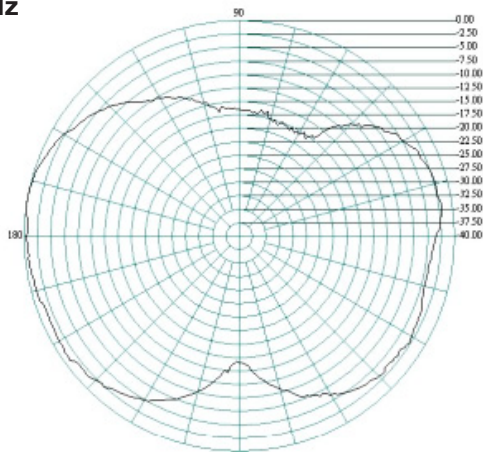
E-Plane
700MHz



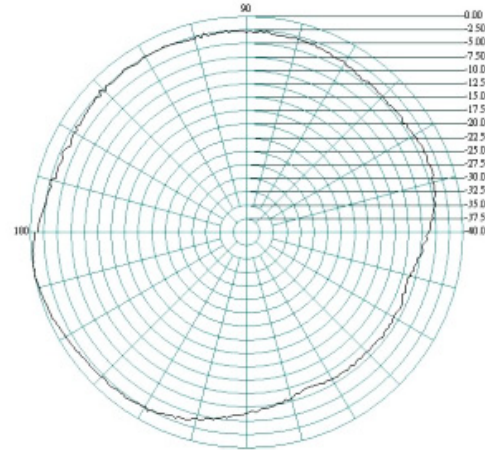
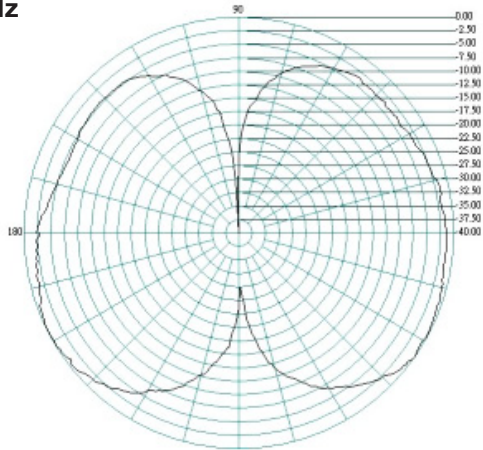
H-Plane



800MHz



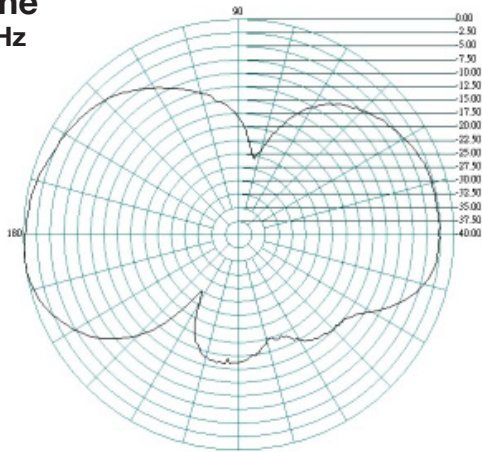
900MHz



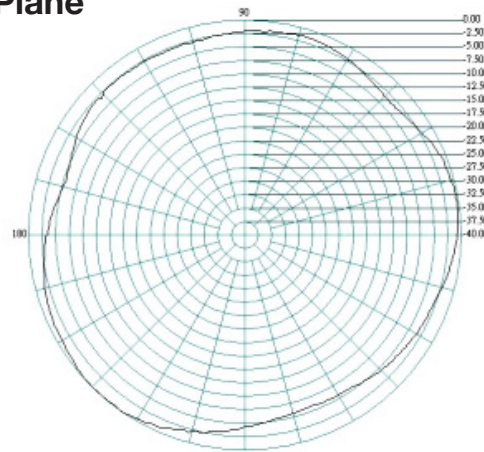
Oscar 420

3G/4G/WiFi MIMO Omni-directional Antenna

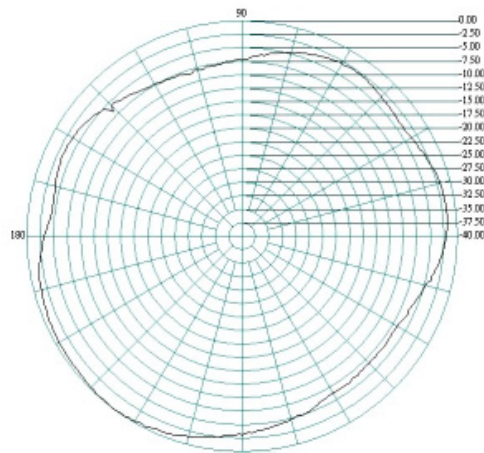
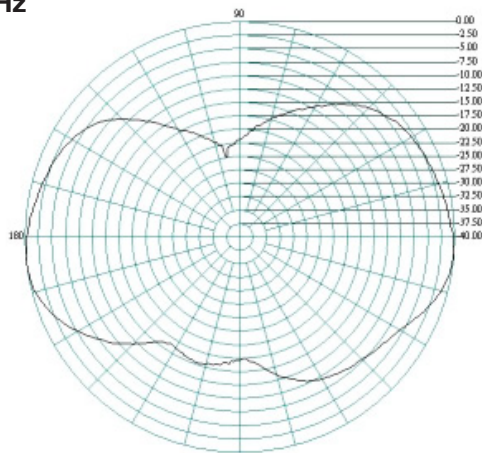
E-Plane 1700MHz



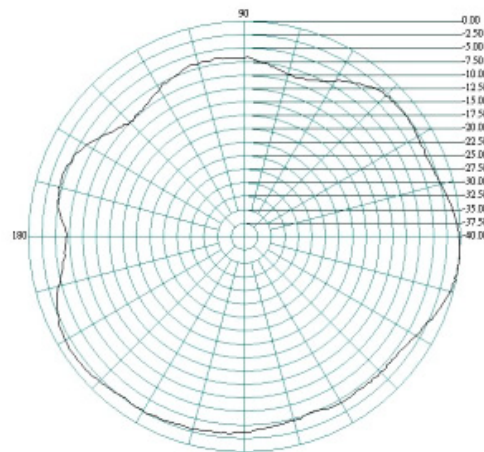
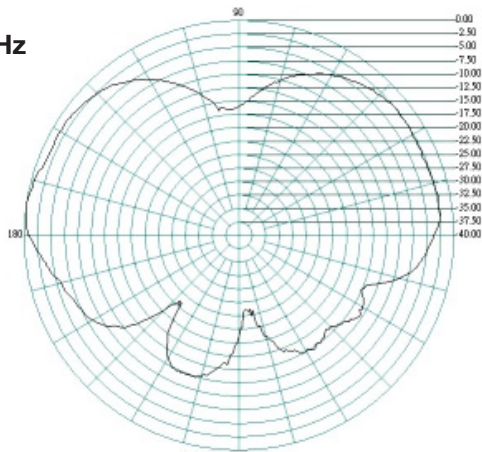
H-Plane



1800MHz



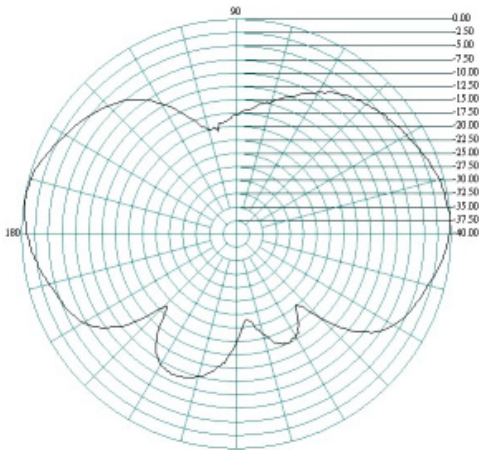
1900MHz



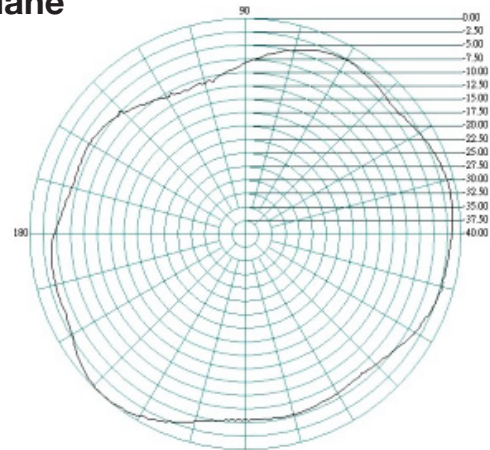
Oscar 420

3G/4G/WiFi MIMO Omni-directional Antenna

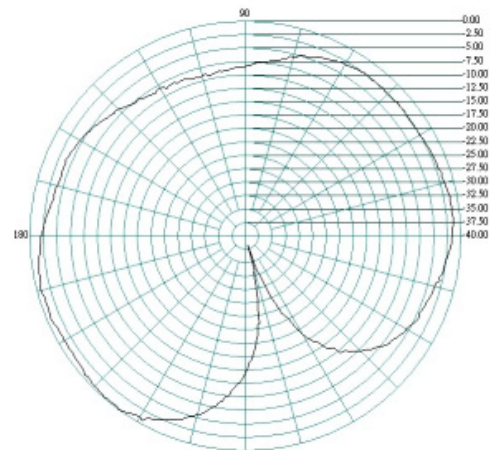
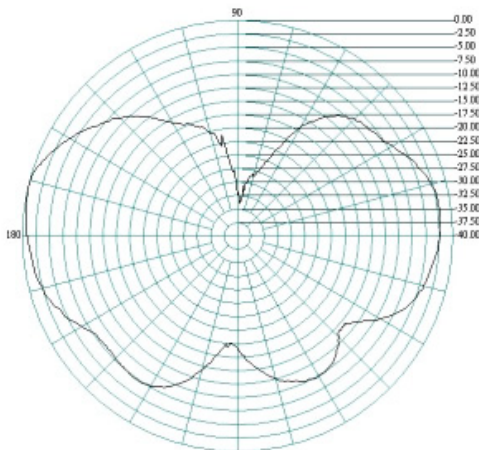
E-Plane 2100MHz



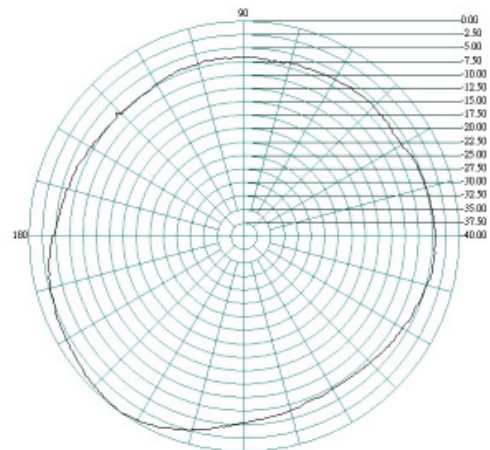
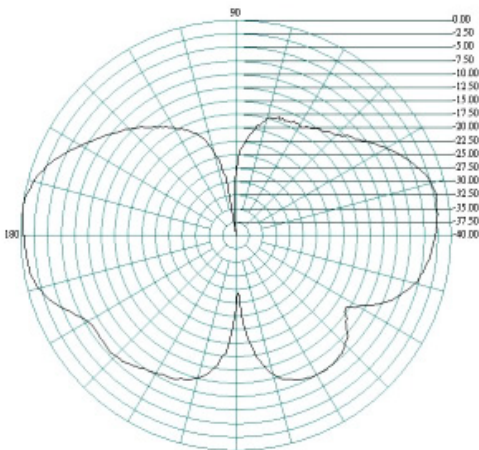
H-Plane



2200MHz



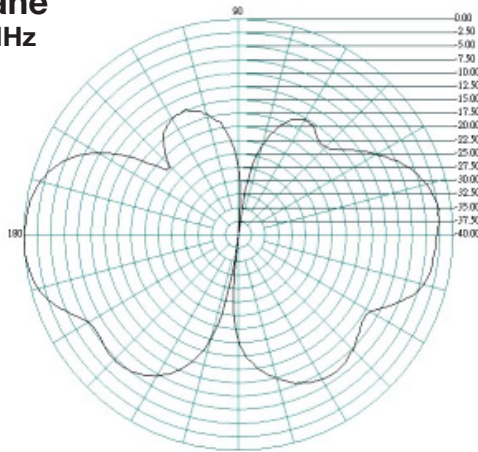
2400MHz



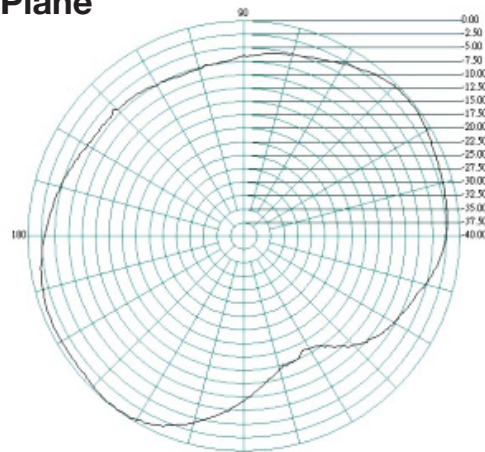
Oscar 420

3G/4G/WiFi MIMO Omni-directional Antenna

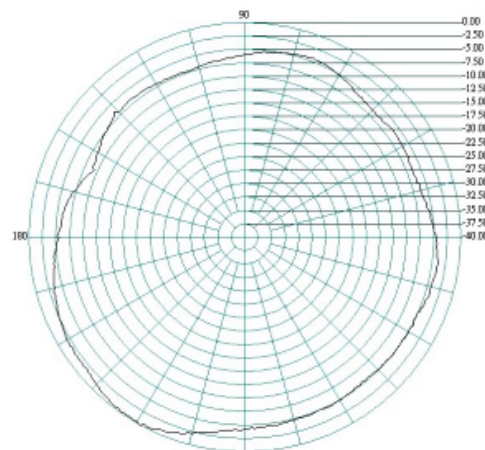
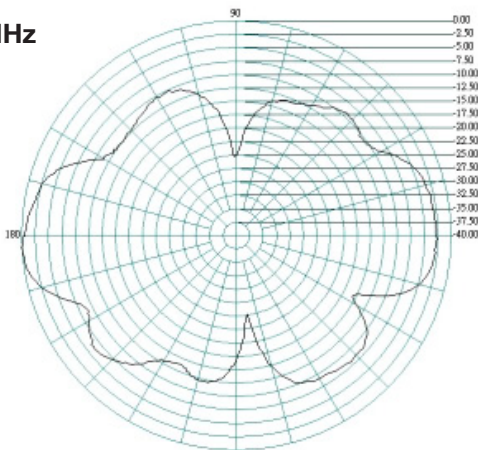
E-Plane 2500MHz



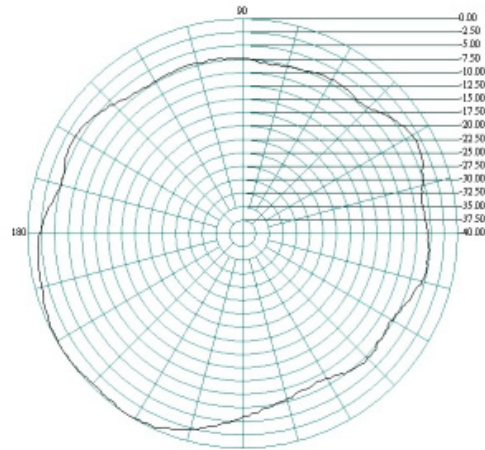
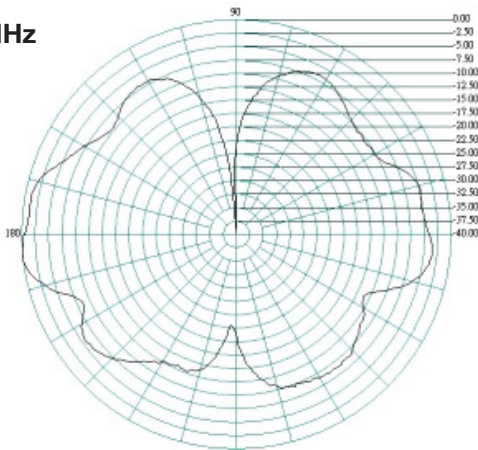
H-Plane



2600MHz



2700MHz

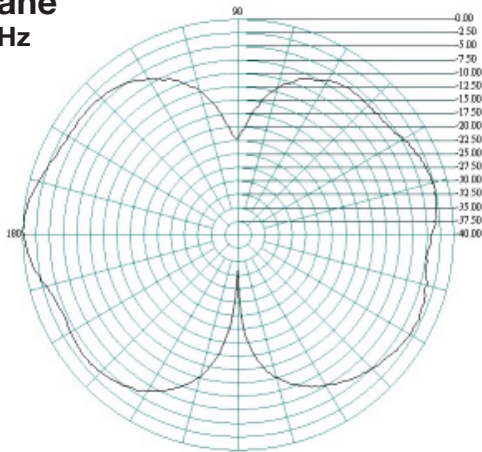


Oscar 420

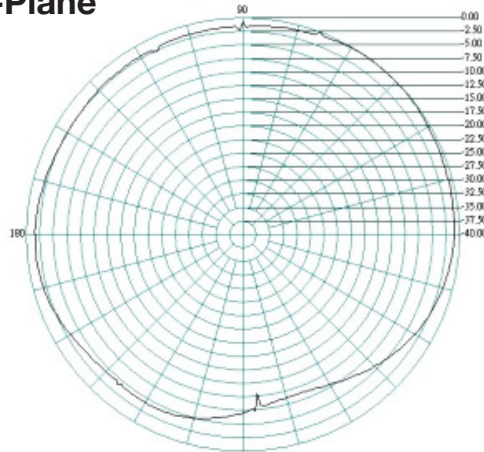
3G/4G/WiFi MIMO Omni-directional Antenna

Radiation Patterns Antenna 2

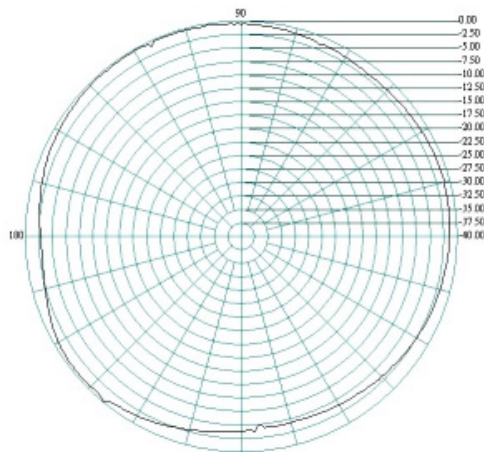
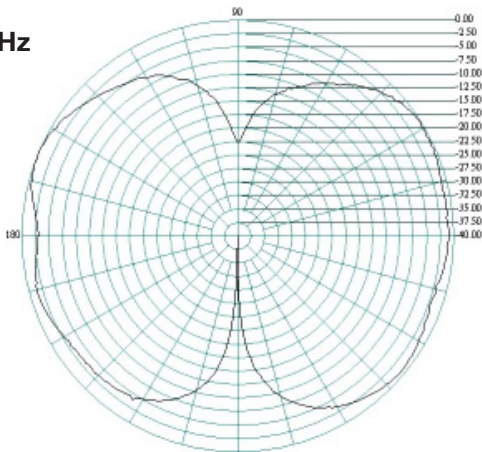
E-Plane
700MHz



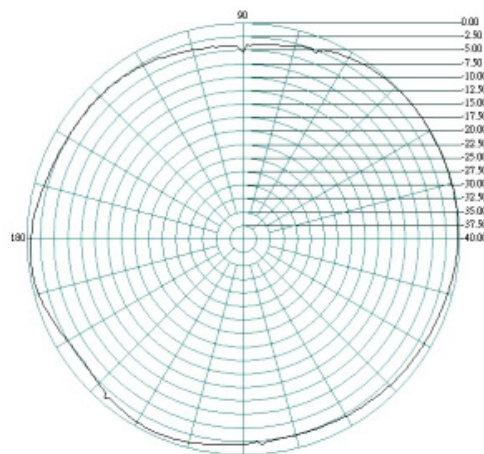
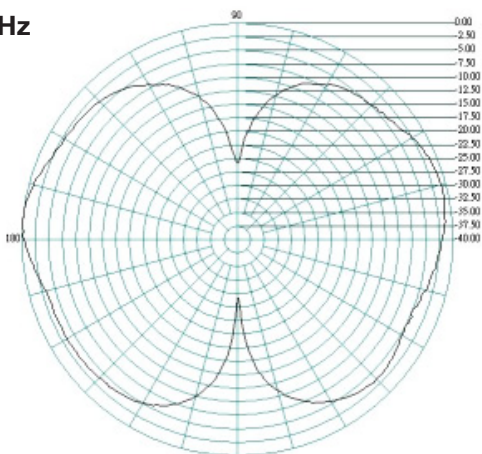
H-Plane



800MHz



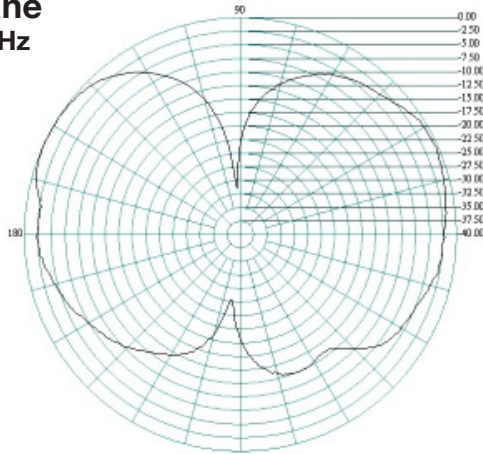
900MHz



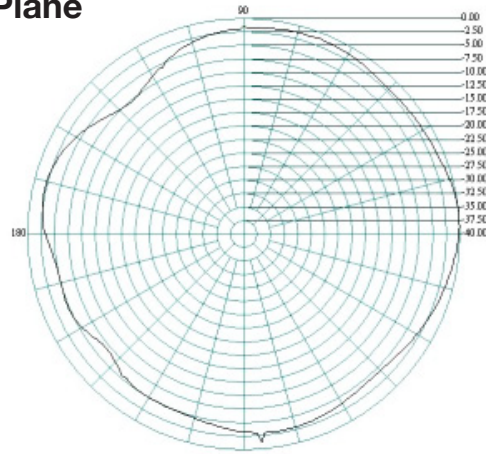
Oscar 420

3G/4G/WiFi MIMO Omni-directional Antenna

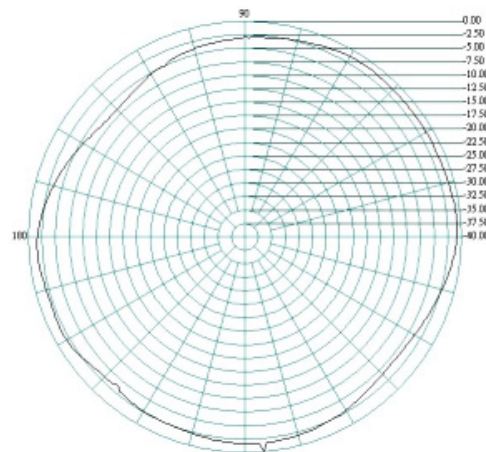
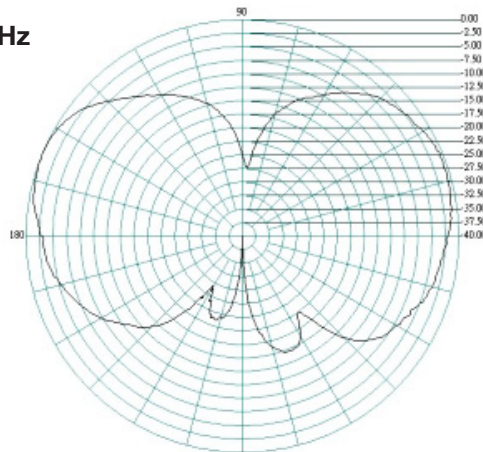
E-Plane
1700MHz



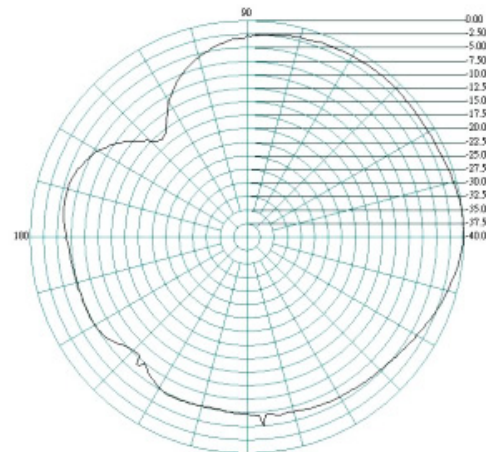
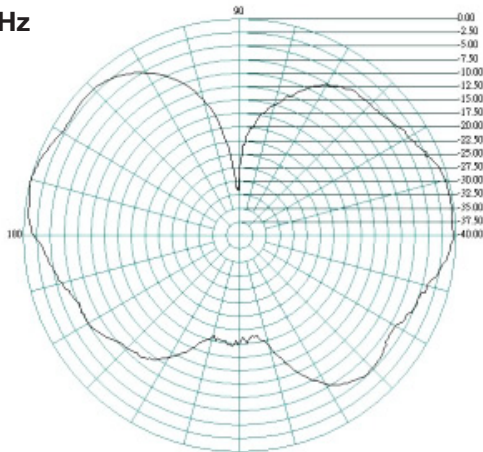
H-Plane



1800MHz



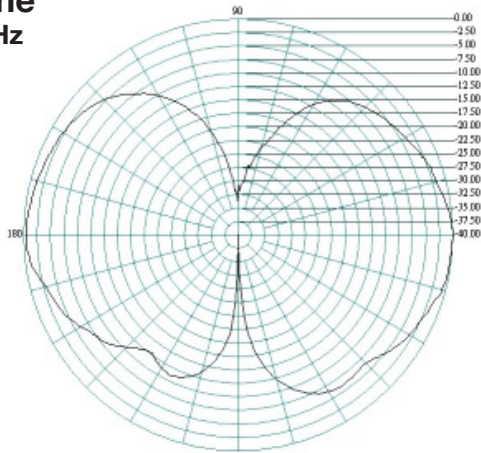
1900MHz



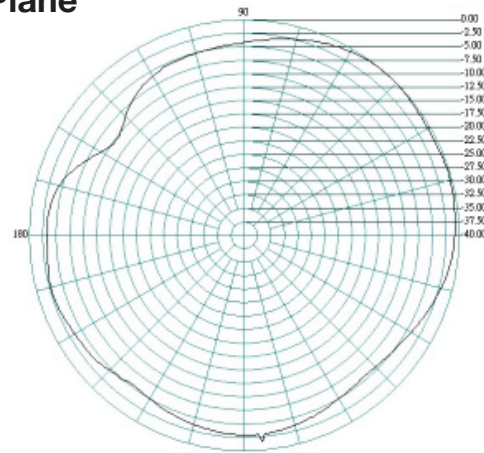
Oscar 420

3G/4G/WiFi MIMO Omni-directional Antenna

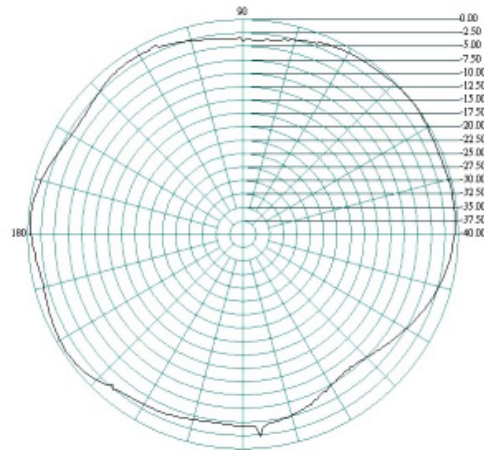
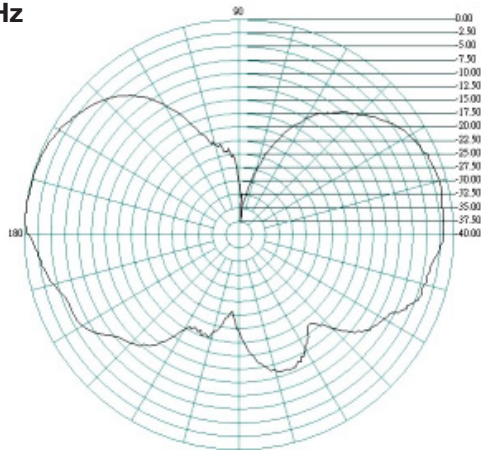
E-Plane 2100MHz



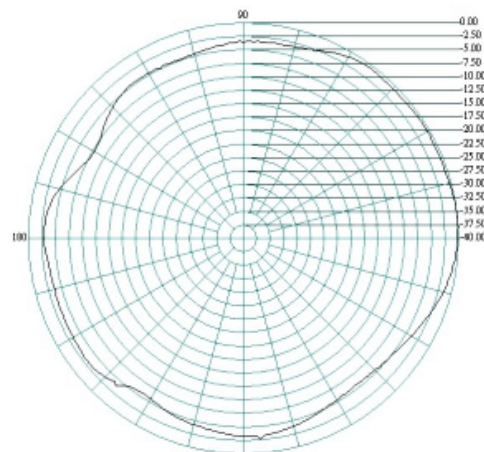
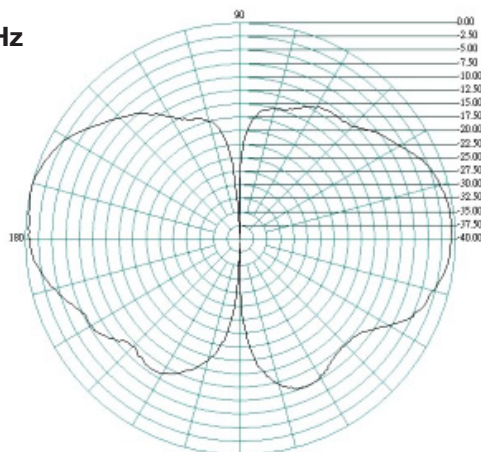
H-Plane



2200MHz



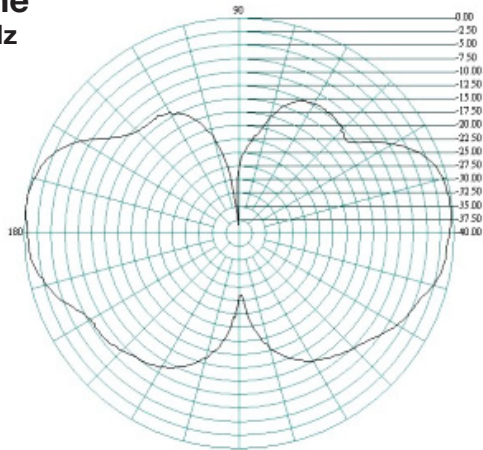
2400MHz



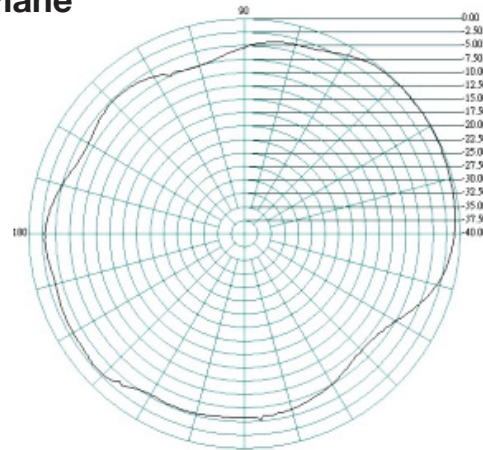
Oscar 420

3G/4G/WiFi MIMO Omni-directional Antenna

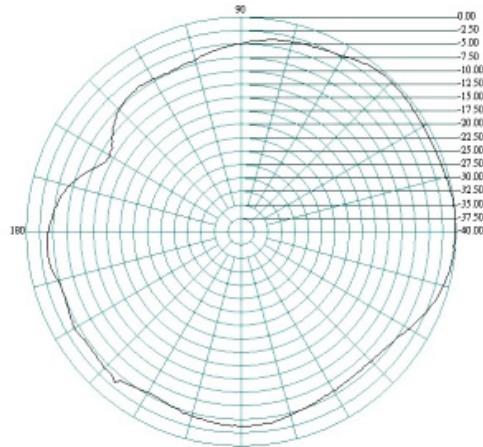
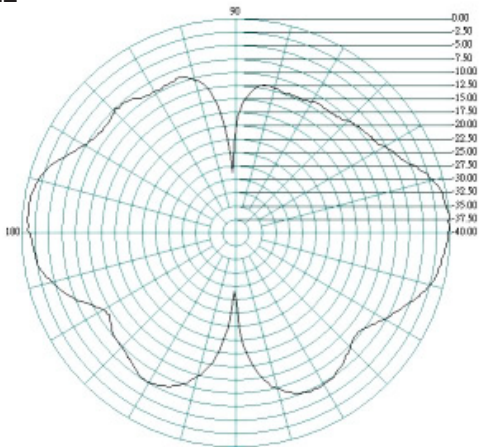
E-Plane 2500MHz



H-Plane



2600MHz



2700MHz

