

Tango 28

2.4GHz Tiny stubby panel mount WiFi/Bluetooth antenna



Key Features

- Panel mount, small stubby WiFi antenna
- Tiny 12.3mm height from panel surface to antenna top
- 5mm threaded segment

General Description

The Tango 28 is a very small panel mount WiFi / Bluetooth antenna. The standard version comes with 100mm of 1.13mm Ø cable and an IPEX / uFL connector.

The Tango 28 is ideal for Bluetooth, WiFi and Zigbee enabled IOT devices where the small size and panel mounting enable flexibility in mounting locations.

The small diameter, short cable with IPEX connector allows for simple routing and connection onto the PCB.

Additional Considerations

- Flexible to mount
- Allows simple connection onto PCB

Tango 28

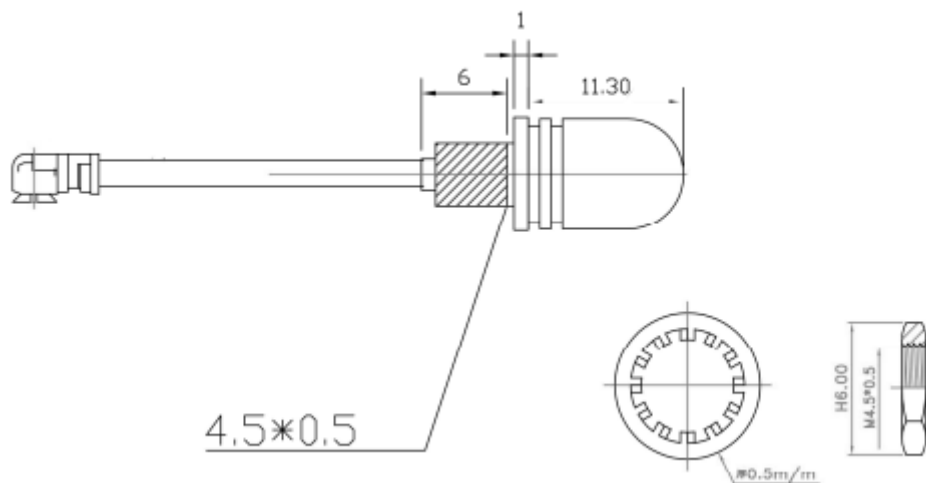
2.4GHz Tiny stubby panel mount WiFi/Bluetooth antenna

Electrical Specifications

Operating temperature:	-30 to +65°C
Impedance:	50 Ohm
Gain:	0 dBi
VSWR:	< 1.7:1
Frequency Range:	2.4GHz (2.4 - 2.5GHz)

Mechanical Specifications

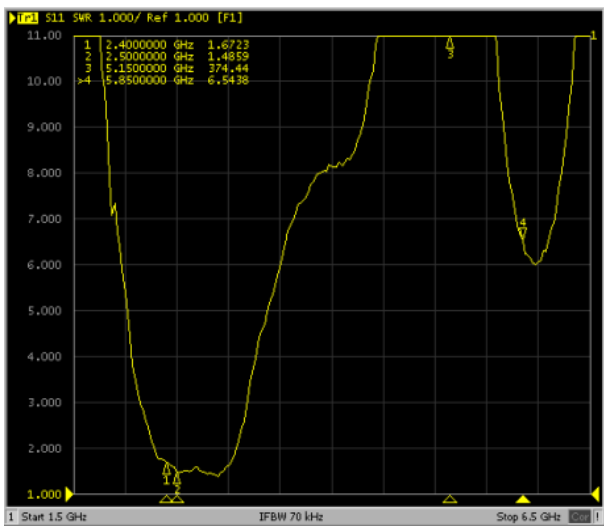
Dimensions:	L: 18.3mm 8.5mm Ø
Cable:	RG178
Operating Temperature:	-25 to +75°C
Storage Temperature:	-35 to +75°C



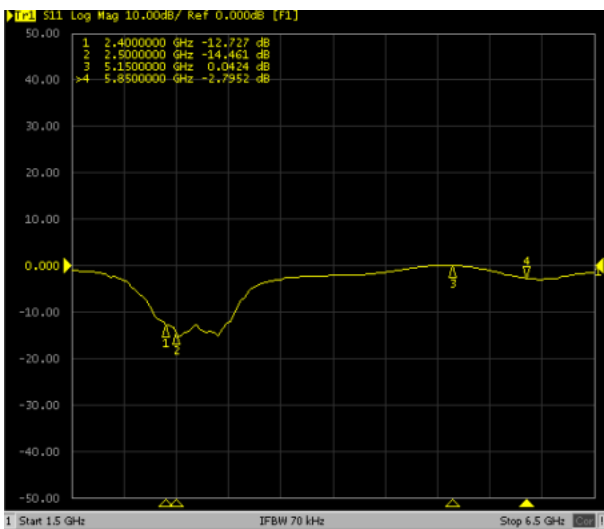
Tango 28

2.4GHz Tiny stubby panel mount WiFi/Bluetooth antenna

VSWR



Return Loss



Ordering Details

Part number	Description
TANGO28/0.1M/IPEX/S/S/35	2.4GHz 12.3mm very small stubby / panel mount WiFi / Bluetooth antenna