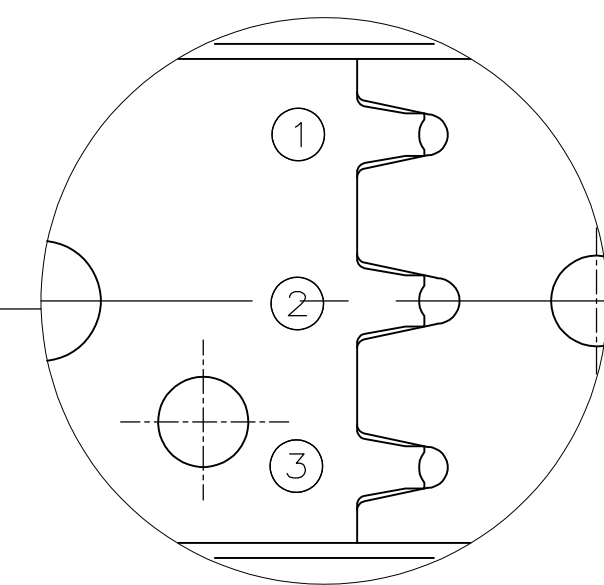
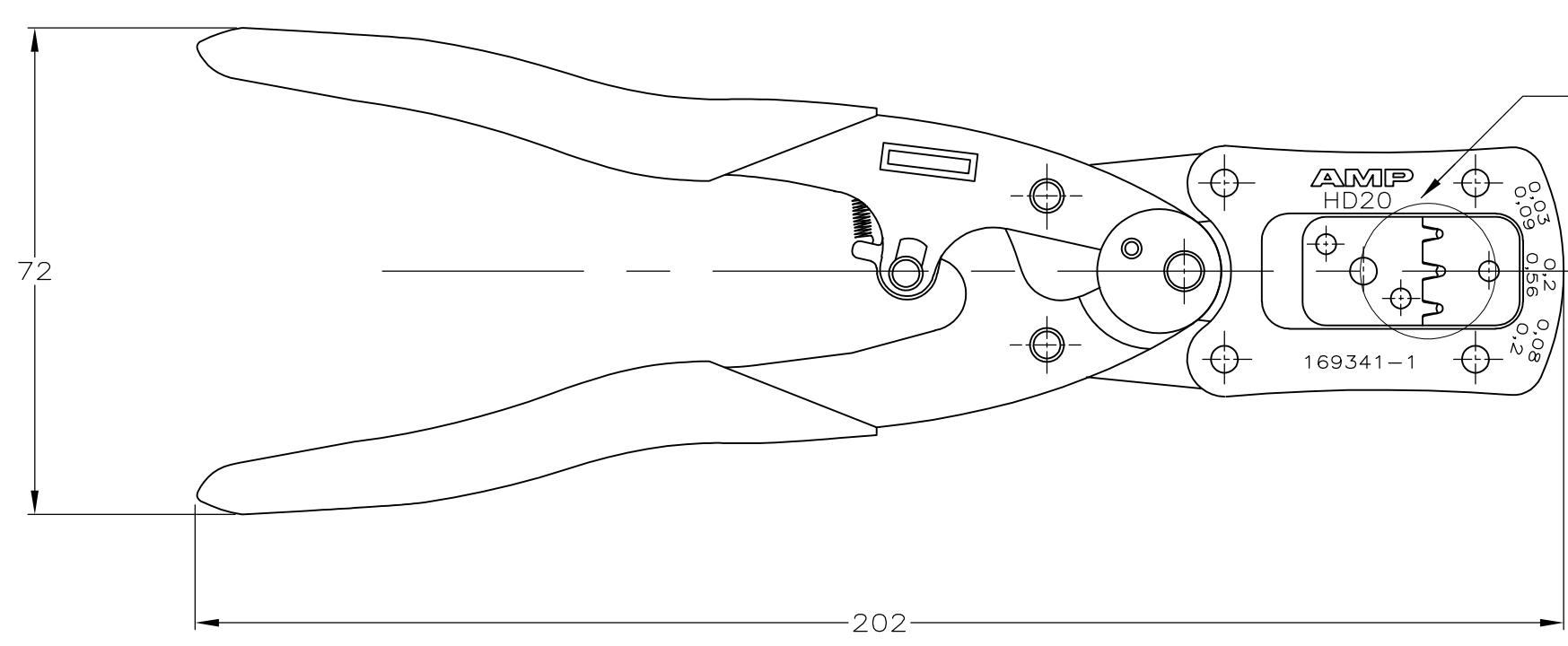
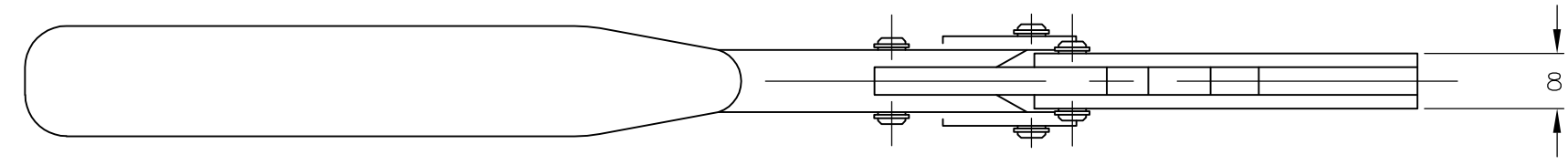


THIS DRAWING IS UNPUBLISHED. RELEASED FOR PUBLICATION
 © COPYRIGHT - By - ALL RIGHTS RESERVED.

LOC	DIST	REVISIONS					
		P	LTR	DESCRIPTION	DATE	DWN	APVD
-	-	P		REVISED PER ECO-11-005294	02APR11	RK	HMR



169341-1
PARTNUMBER

PROF	WIRE RANGE	INS. RANGE	TERMINAL
1	0,2-0,56	1,3-1,5	SEE CATALOG
2	0,08-0,2	1,0 MAX	SEE CATALOG
3	0,03-0,09	0,5-1,0	SEE CATALOG

THIS DRAWING IS A CONTROLLED DOCUMENT.

DIMENSIONS: mm	TOLERANCES UNLESS OTHERWISE SPECIFIED:
	0 PLC ± -
	1 PLC ± -
	2 PLC ± -
	3 PLC ± -
	4 PLC ± -
	ANGLES ± -
MATERIAL	FINISH
-	-

DWN P.BEIJNON 21-2-89	STE TE Connectivity		NAME HANDTOOL FOR HD 20 CONTACTS
CHK R.VOS			
APVD L.V.SOEST	SIZE A3	CAGE CODE 00779	DRAWING NO C-169341
PRODUCT SPEC -	RESTRICTED TO -	SCALE -	SHEET 1 of 1
APPLICATION SPEC -	WEIGHT -	CUSTOMER DRAWING	REV P