
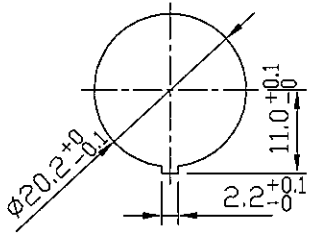
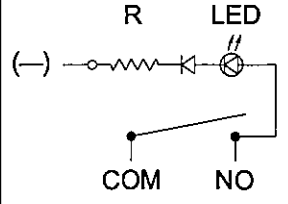


Rating	6A 250V~		Mounting Hole		Circuit Diagram
Contact Resistance	50m ohm Max.				
Insulation Resistance	DC 500V 100M ohm Min.				
Dielectric Strength	AC 1500V 1 minute				
Operation Temperature	-25°C~85°C				
Switch Function	3P SPST OFF-ON (LED dependent)				
			Thickness:0.7~3.0		

***MATERIAL:**

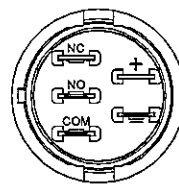
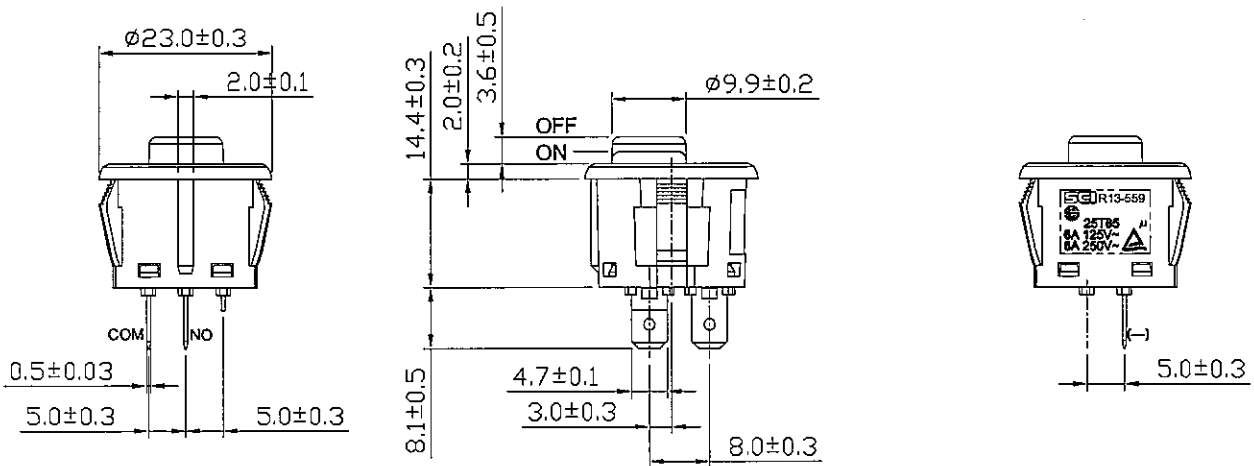
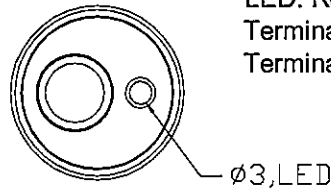
Frame: Black, Nylon 66 (94-V2)

Actuator: Black, Nylon 66 (94-V2)

LED: Red

Terminal COM,NO: Silver plated, Brass alloy

Terminal -: Brass alloy



C3WORK14\R13-559

									△
									△
Date	Name	Descriptions							NO
Drawn	Checked	Approved	SCI BOM No.		Model Name	PUSH SWITCH			
B.S.Wang		<i>E/bh</i>	Customer No.		Model No.	R13-559B1-13-BBR	REV.		
10/12/12		10/12/12	Unit	mm	SHIN CHIN INDUSTRIAL CO., LTD.			X2	