
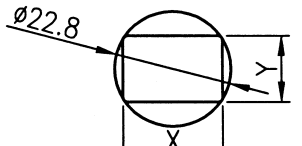
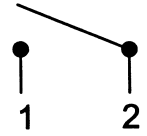
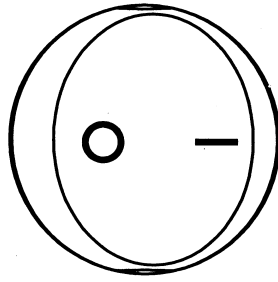
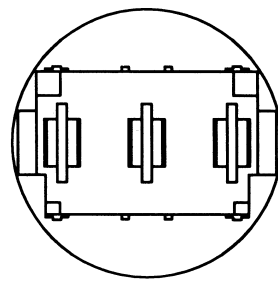
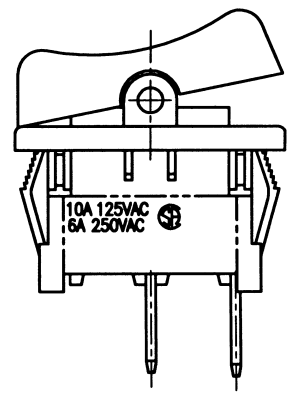
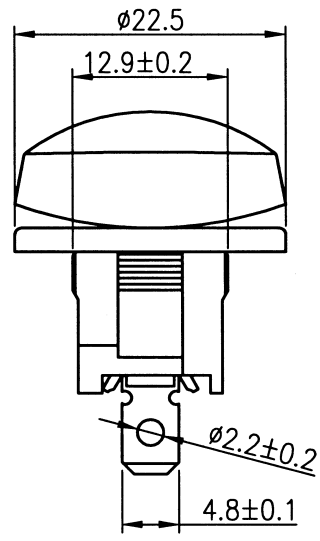
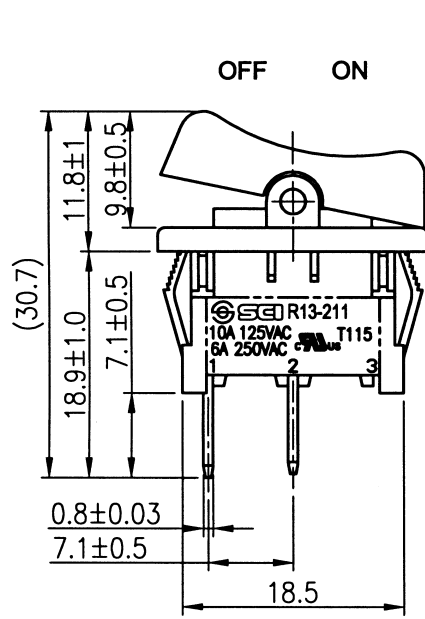



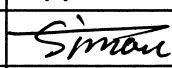
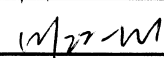

Rating	10A 125V AC, 6A 250V AC 	Mounting Hole												
Contact Resistance	50m ohm Max.													
Insulation Resistance	DC 500V 100M ohm Min.													
Dielectric Strength	AC 1500V 1 minute													
Operation Temperature	-25°C-115°C	<table border="1"> <tr> <th>Thickness</th> <th>X</th> <th>Y</th> </tr> <tr> <td>0.75~1.25</td> <td>19.2-0.1</td> <td>13+0.1</td> </tr> <tr> <td>1.25~2.0</td> <td>19.4-0.1</td> <td>13+0.1</td> </tr> <tr> <td>2.0~3.0</td> <td>19.8-0.1</td> <td>13+0.1</td> </tr> </table>			Thickness	X	Y	0.75~1.25	19.2-0.1	13+0.1	1.25~2.0	19.4-0.1	13+0.1	2.0~3.0
Thickness	X	Y												
0.75~1.25	19.2-0.1	13+0.1												
1.25~2.0	19.4-0.1	13+0.1												
2.0~3.0	19.8-0.1	13+0.1												
Switch Function	2P SPST ON-OFF													



Material:  
 Frame: Nylon#66, Black  
 Actuator: Nylon#66, Black  
 Printed: White, hot stamping



Tolerances Unless Otherwise Specified ±0.3mm

							△
							△
Date	Name	Description				NO	
Drawn	Checked	Approved	SCI BOM NO.	1821034	Model Name	ROCKER SWITCH	
柳新強			Customer No.		Model No.	R13-211A-02	Rev.
12/20/12		12/22/12	Unit	mm	 Shin Chin Industrial Co., Ltd.		X0