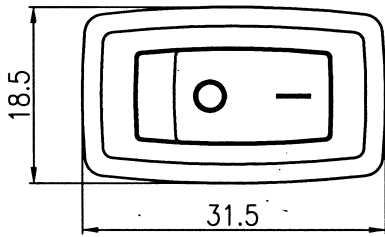
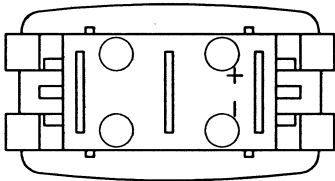
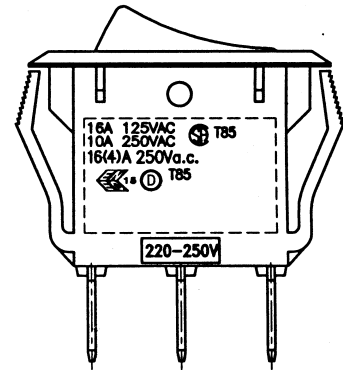
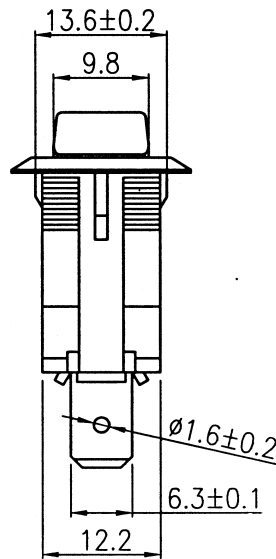
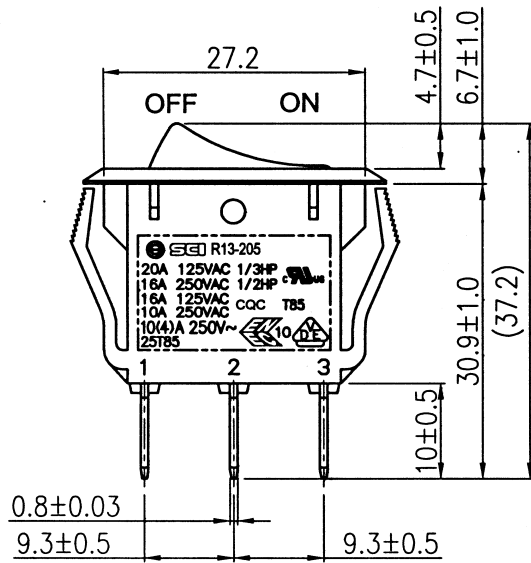


Rating	20A 125VAC 1/3HP, 16A 250VAC 1/2HP 16A 125VAC, 10A 250VAC 10(4)A 250V~ 16(4)A 250V AC		Mounting Hole	Circuit Diagram
Contact Resistance	50m ohm Max.			
Insulation Resistance	DC 500V 100M ohm Min.			
Dielectric Strength	AC 1500V 1 minute			
Operation Temperature	-25°C~85°C		Thickness	
Switch Function	3P SPST ON-OFF (Illuminated)		0.75~3	X: 27.6-0.1, Y: 13.8+0.1
			3~4	27.8-0.1, 13.8+0.1
			4~5	28.0-0.1, 13.8+0.1



Material:
 Frame: Black, Nylon#66
 Actuator: Red, PC
 Terminals: Copper Alloy
 Printed: White, hot stamping



Tolerances Unless Otherwise Specified ±0.3mm

12/18/12	柳新強	安規更新, 增加SCI LOGO			△
Date	Name	Description			No.
Drawn	Checked	Approved	SCI BOM No.	1824374	Model Name
柳新強	<i>[Signature]</i>	<i>[Signature]</i>	Customer No.		ROCKER SWITCH
12/18/12	<i>[Signature]</i>	12/19/12	Unit	mm	Model No.
					R13-205B-01
					Rev.
					X1
Shin Chin Industrial Co., Ltd.					