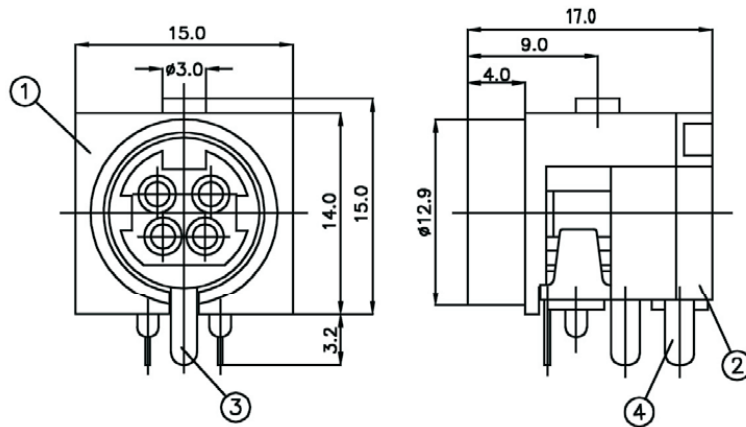


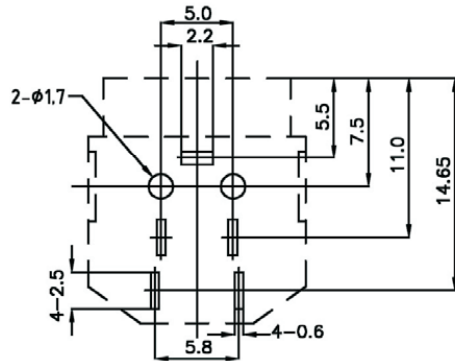
Artikel-Nr.: 457807

Bez.: Power Einbaubuchse 4 polig print 90°



SPECIFICATIONS:

1. CURRENT CARRYING CAPACITY: 20VDC 7.5A MAX.
2. DIELECTRIC STRENGTH: A POTENTIAL OF 250V RMS, 50/60HZ SHALL BE APPLIED BETWEEN ANY OPEN CONTACTS, FOR 1 MINUTE, WITHOUT BREAKDOWN.
3. INSULATION RESISTANCE: BEFORE ANY ENVIRONMENTAL TEST: 50M OHM MIN. @250VDC. AFTER ANY ENVIRONMENTAL TEST: 5M OHM MIN. @250VDC.
4. CONTACT RESISTANCE: BEFORE ANY TEST: 30m OHM MAX. @20 mA, 1 KHZ. AFTER PERFORMANCE LIFE TEST: 60m OHM MAX. @20mA, 1KHZ.
5. INSERTION FORCE AND WITHDRAWAL FORCE:
INSERTION FORCE: 6.0KG MAX.
WITHDRAWAL FORCE: 0.5 - 6.0KG.
6. PERFORMANCE TEST (NO LOAD CONDITION): SOCKETS SHALL BE SUBJECT TO 1,000 CYCLES, AT THE RATE OF 10 TO 20 CYCLES PER MINUTE.
7. UNLESS OTHER SPECIFIC, TOLERANCE IS ±0.2



HOLE LAYOUT
BOTTOM VIEW

4	CONTACT TERMINAL	4	BSR-H 0.3 ^t	Pb10%, Sn90%	
3	EARTH TERMINAL	1	BSR-H 0.4 ^t	Pb10%, Sn90%	
2	COVER	1	P.B.T.		UL94V-0
1	BODY	1	P.B.T.		UL94V-0
P/N	PART NAME	Q'TY	MATERIAL	PLATING	REMARKS

www.bkl-electronic.de

Technische Änderungen vorbehalten. Ausführungen können variieren. Sollten Sie ein Muster benötigen kontaktieren Sie uns bitte.

BKL-ELECTRONIC Kreimendahl GmbH • Märkenstück 14 • 58509 Lüdenscheid
Tel: +49 (0)2351-3621-0 • Fax: +49 (0)2351-3621-29 • info@bkl-electronic.de

