

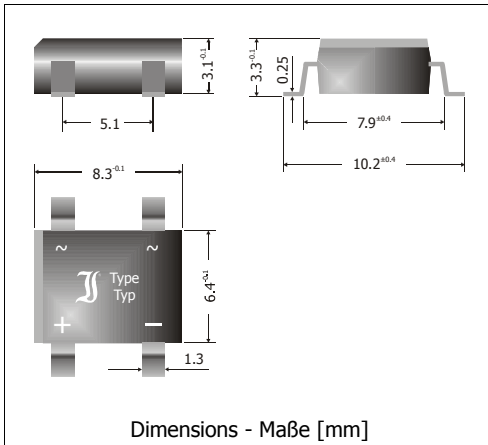
Bridge rectifier Diodes

Order code	Manufacturer code	Description
47-2822	B125S	B125S 250V 1ASMD BRIDGE RECTIFIER RC

Bridge rectifier Diodes	Page 1 of 3
The enclosed information is believed to be correct, Information may change without notice due to product improvement. Users should ensure that the product is suitable for their use. E. & O. E.	Revision A 20/02/2007

B40S ... B500S
Surface Mount Si-Bridge-Rectifiers
Si-Brückengleichrichter für die Oberflächenmontage

Version 2006-05-12



Nominal current Nennstrom	1 A
Alternating input voltage Eingangswchelspannung	40...500 V
Plastic case SO-DIL Kunststoffgehäuse SO-DIL	8.3 x 6.4 x 3.1 [mm]
Weight approx. – Gewicht ca.	0.4 g
Plastic material has UL classification 94V-0 Gehäusematerial UL94V-0 klassifiziert	
Standard packaging taped and reeled Standard Lieferform gegurtet auf Rolle	



Recognized Product – Underwriters Laboratories Inc.® File E175067
 Anerkanntes Produkt – Underwriters Laboratories Inc.® Nr. E175067

Maximum ratings**Grenzwerte**

Type Typ	Max. alternating input voltage Max. Eingangswchelspannung V_{VRMS} [V]	Repetitive peak reverse voltage Periodische Spitzensperrspannung V_{RRM} [V] ¹⁾
B40S	40	80
B80S	80	160
B125S	125	250
B250S	250	600
B380S	380	800
B500S	500	1000

Repetitive peak forward current Periodischer Spitzenstrom	$f > 15$ Hz	I_{FRM}	10 A ²⁾
Peak forward surge current, 50/60 Hz half sine-wave Stoßstrom für eine 50/60 Hz Sinus-Halbwelle	$T_A = 25^\circ\text{C}$	I_{FSM}	40/44 A
Rating for fusing, $t < 10$ ms Grenzlastintegral, $t < 10$ ms	$T_A = 25^\circ\text{C}$	i^2t	8 A ² s
Operating junction temperature – Sperrschichttemperatur		T_j	-50...+150°C
Storage temperature – Lagerungstemperatur		T_s	-50...+150°C

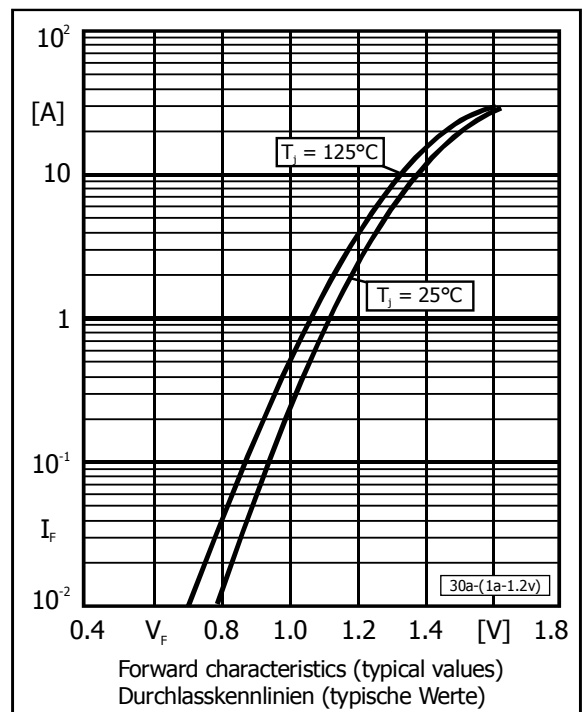
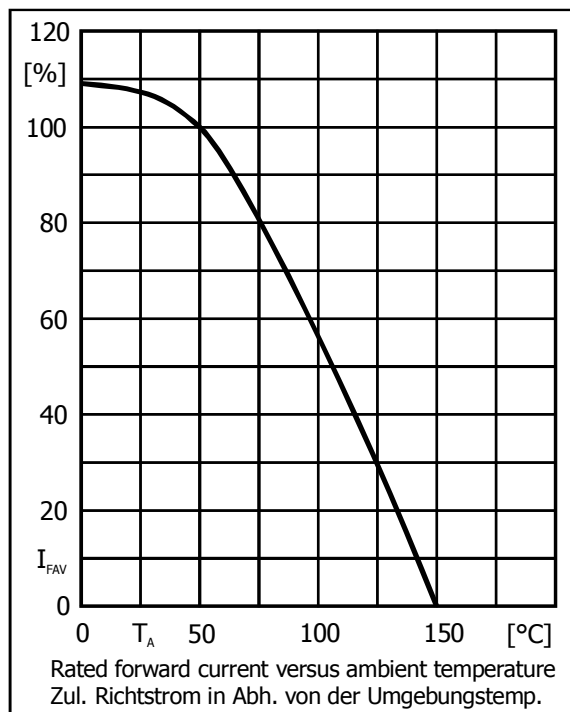
¹ Valid for one branch – Gültig für einen Brückenweig

² Max. temperature of the terminals $T_T = 100^\circ\text{C}$ – Max. Temperatur der Anschlüsse $T_T = 100^\circ\text{C}$

Characteristics
Kenwerte

Max. average forward rectified current Dauergrenzstrom	$T_A = 50^\circ\text{C}$	R-load C-load	I_{FAV} I_{FAV}	1.0 A ¹⁾ 0.8 A ¹⁾
Forward voltage – Durchlass-Spannung	$T_j = 25^\circ\text{C}$	$I_F = 1\text{ A}$	V_F	< 1.1 V ²⁾
Leakage current – Sperrstrom	$T_j = 25^\circ\text{C}$	$V_R = V_{RRM}$	I_R	< 10 μA
Thermal resistance junction to ambient air Wärmewiderstand Sperrschicht – umgebende Luft			R_{thA}	< 60 K/W ¹⁾

Type Typ	Max. admissible load capacitor Max. zulässiger Ladekondensator C_L [μF]	Min. required protective resistor Min. erforderl. Schutzwiderstand R_t [Ω]
B40S	2500	2.0
B80S	1250	4.0
B125S	800	6.3
B250S	333	15.0
B380S	250	20.0
B500S	200	25.0



- 1 Mounted on P.C. Board with 25 mm² copper pads at each terminal
Montage auf Leiterplatte mit 25 mm² Kupferbelag (Löt-pad) an jedem Anschluss
- 2 Valid for one branch – Gültig für einen Brücken-zweig