

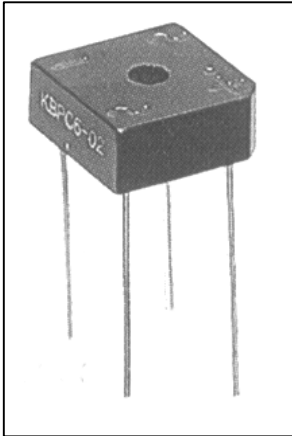
Bridge rectifier Diodes

| Order code | Manufacturer code | Description |
|------------|-------------------|---|
| 47-3218 | n/a | KBPC602 6A 200V BRIDGE RECT (BR62) (RC) |
| 47-3220 | n/a | KBPC608 6A 800V BRIDGE RECT (BR68) (RC) |

| | |
|--|--------------------------|
| Bridge rectifier Diodes | Page 1 of 2 |
| The enclosed information is believed to be correct, Information may change 'without notice' due to product improvement. Users should ensure that the product is suitable for their use. E. & O. E. | Revision A 04/07/2003 |

Semiconductors - Discrete Devices

DC components – 6A rectifier

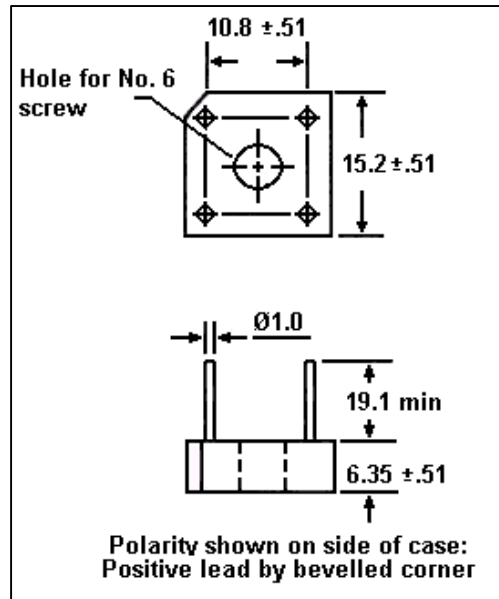


Voltage range: 50 to 1000 Volts
Current: 6 Amperes

Features:

- Surge overload rating – 150 amperes peak
- Low forward voltage drop
- Small size, simple installation
- Silver plated copper leads
- Mounting position: Any

Specifications:



Dimensions in mm

| | KBPC502 | KBPC608 | Units |
|---|-------------|-------------|---------|
| Maximum recurrent peak reverse voltage: | 200 | 800 | V |
| Max RMS bridge input voltage: | 140 | 560 | V |
| Maximum average forward rectified output current | | | |
| TC=100°C* | 6.0 | 6.0 | A |
| TC=50°C** | 6.0 | 6.0 | A |
| Peak forward surge current, 8.3ms single half sine-wave superimposed on rated load | 150 | 150 | A |
| Maximum forward voltage drop per element at 3.0A peak | 1.2 | 1.2 | V |
| Maximum reverse current at rate | 10.0 | 10.0 | μ A |
| TA=25°C | | | |
| DC blocking voltage element | 1.0 | 1.0 | mA |
| TA=100°C | | | |
| Operating temperature range | | | |
| TC | -55 to +125 | -55 to +125 | °C |
| Storage temperature range | | | |
| TA | -55 to +150 | -55 to +150 | °C |

Notes: *Unit mounted on metal chassis
 **Unit mounted on P.C board

Ratings at 25°C ambient temperature unless otherwise specified, Single phase, half wave, 60Hz resistive or inductive load. For capacitive load, derate current by 20%