


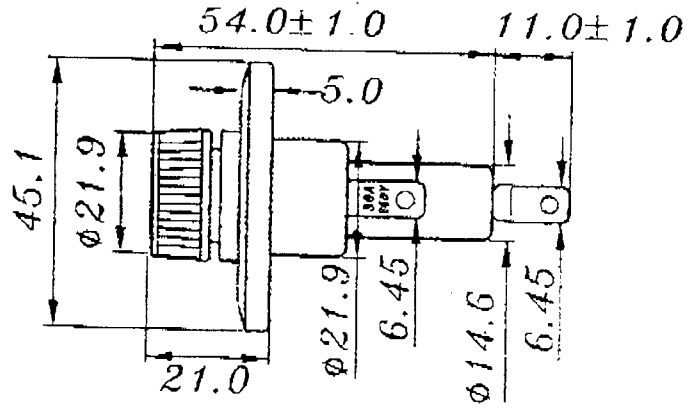
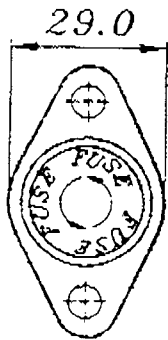
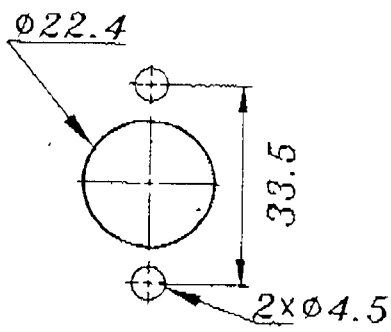


圖號 DRAWING NO.	QD-IHLDR-A01	圖名 MODEL	CQ-215	製圖 DRAWN	校對 DESIGNED BY	核准 APPROVED
日期 DATE	7/1/95	改定內容 REVISION		修改者 CHANGE BY		
圖號						

CQ-215 PANEL MOUNT FUSE HOLDER
FOR 10.3 × 38.1mm(5AG) FUSES





550809



MOUNTING HOLE

SPECIFICATIONS:

- 1 > Rated Current: 30 A 600V
- 2 > Insulation Resistance At 500 V DC : 100 M Ω Min.
- 3 > Contact Resistance: 5 mΩ At 1A DC
- 4 > Dielectric Strength For 60 Seconds: AC- 3000 V Min.
- 5 > Type : Screw Knob
- 6 > Approvals :  

Insulating Body : Flame Retarding UL 94 V0 Thermoplastic Material
Contact : Nickel or Tin Plated Copper Alloy

尺寸依據圖示數字 Don't Scale Drawing	單位 UNIT	mm	一般公差 TOLERANCE CLASS	±0.2	* 工程承認圖面 *
---------------------------------	------------	----	-------------------------	------	------------