

Configuration ANSMANN Version

- Push button for one hand operation
- 1 x push: HALOGEN "ON"
- 2 x push: LUXEON "ON"
- 3 x push: LUXEON "BLINKING" (~1Hz)
- 4 x push: all lamps "OFF"
- With HALOGEN lamp 6.5V/5W is the flash duration approx. 5h (main lamp)
- With LUXEON LED 1W is the flash duration approx. 20h (economy lamp)
- Filament breaks monitoring of the main lamp automatic switch over to economy lamp in the case of filament break
- Microprocessor-controlled technology for change and discharge with battery capacity indication by means of the LEDs
- High protection IP 65
- High probability of the portable lamp
- Integrated pocket for perscribble lenses e.g. diffuser
- Well adapted pocket for parking the portable lamp
- For 12V, 24V and 100-240V~ power supply
- Emergency light functions of the parked portable lamp, i.e. the portable lamp light in the event of mains failure

Technical data

Battery capacity	LED lights	indication	notes
>75%	green (3 LED)	■ ■ ■ ■ ■ ■ ■ ■ ■ ■ ■ ■	4/6/6/6/6
>50%	green (2 LED)	■ ■ ■ ■ ■ ■ ■ ■ ■ ■ ■	
>25%	green (1 LED)	■ ■ ■ ■ ■ ■ ■ ■ ■ ■ ■	
<25%	yellow (1 LED)	■ ■ ■ ■ ■ ■ ■ ■ ■ ■ ■	charging required
<10%	red (1 LED)	■ ■ ■ ■ ■ ■ ■ ■ ■ ■ ■	charging urgently required

Deep discharge : when the battery voltage is low (~5.3V, red LED--indication) automatic switching over from main lamp to economy lamp; residual lighted: >1h

Battery : Lead-acid, maintenance free, 6V/ 4.5Ah

Chargerfunction : integrated into the lamp; charging starts when lamp insert into the charger unit; voltage and charging current indication via LED's

Charging end voltage : at a regulated output voltage dropped over 7.2V the charger will be charged 6.9V for trickle charge

Charging current : LED yellow is charge, LED green battery is fully charged approx. 0.9A, 1.3A approx. 3h, 1.5h

Emergency light function : emergency light function with parked portable lamp -in case of mains failure portable lamps goes in function (main lamp)

operating temperature : -20' +50°C

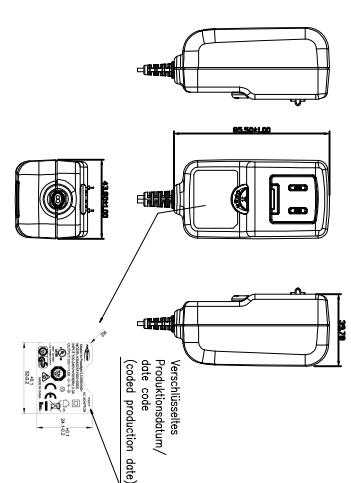
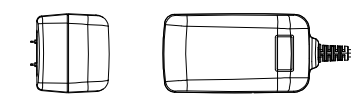
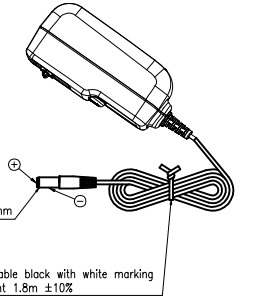
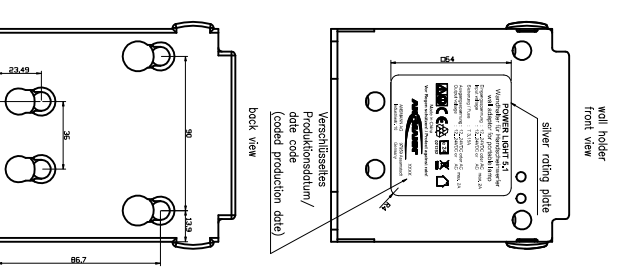
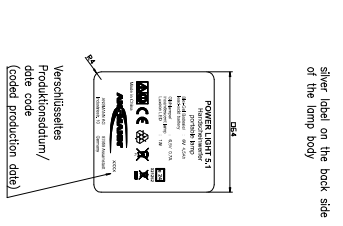
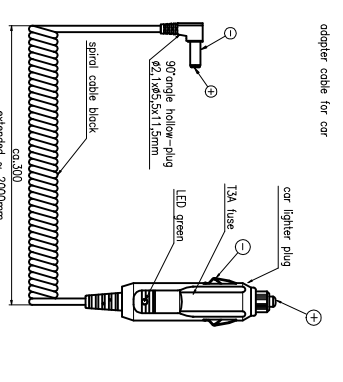
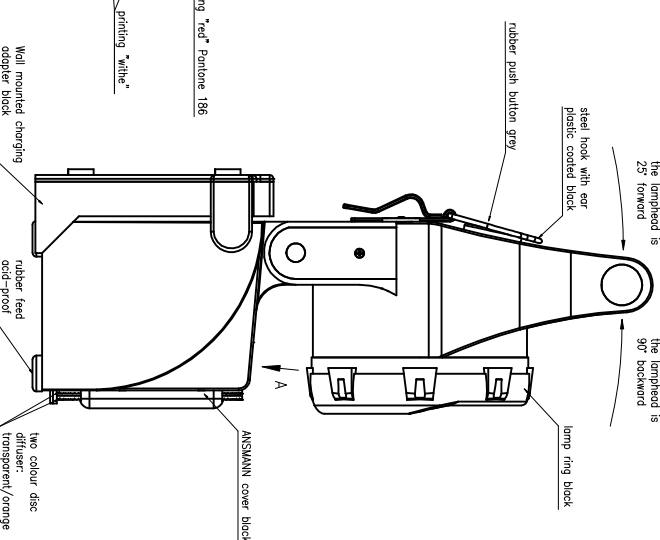
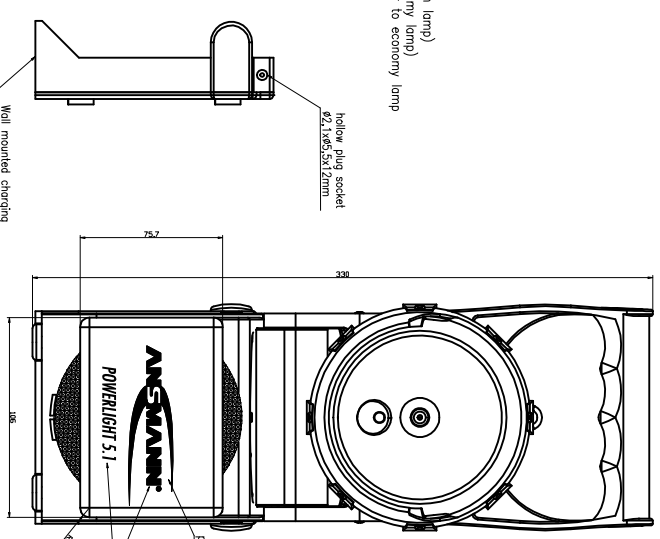
input voltage : 100-240V AC 50/60Hz for AC/AC plug in power supply and 12V/24V input into the wall adaptor

Mourning : for wall mounting incl. 4pcs pointed screws and 4pcs wall plugs

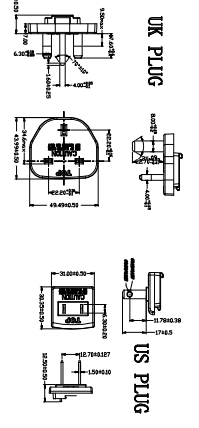
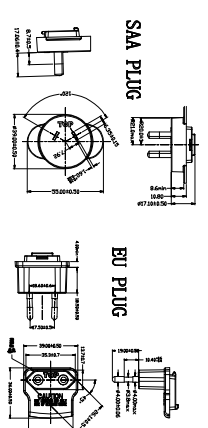
Safety class : II (oil - insulated)

Housing colour : emark, CE

Package : 2830g incl. accessories and package dimensions 346x272x135mm(LxWxH)



primary plug set



Technical data

plug-in power supply : 100-240V AC 50/60Hz 0.4A
 input date : 15V DC ±10% 1000mA
 output date : 4W primary/secondary
 insulation : IP 20
 protection : 0°C.....+25°C
 operating temperature : -25°C.....+70°C
 storage temperature : CE; cULus; SAK; BRAB; GS
 approval : plug-in case block

No. of LEDs	Power (W)	Efficiency (%)	Beam angle (°)	Beam diameter (mm)	Luminous flux (lm)	Luminous intensity (cd)	Viewing angle (°)	Light source		
								Material	Power (W)	Efficiency (%)
3	1.5	2.7	30	30	270	9000	60	Halogen	6.5	5
3	1.5	2.7	30	30	270	9000	60	LED	6.5	5
2	1.0	2.0	30	30	180	6000	60	Halogen	6.5	5
2	1.0	2.0	30	30	180	6000	60	LED	6.5	5
1	0.5	1.0	30	30	90	3000	60	Halogen	6.5	5
1	0.5	1.0	30	30	90	3000	60	LED	6.5	5