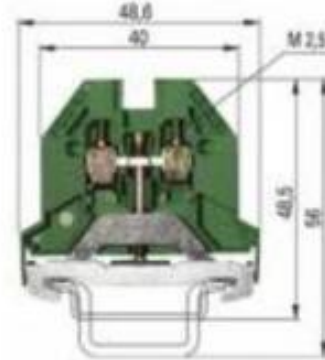


Datasheet

Art.No. 56.503.9055.0

Earth terminal WK 2,5 SL/35

Ground DIN rail terminal block with screw connection for mounting on TS 35, nominal cross section 2.5 mm<sup>2</sup>, width 5 mm, color green/yellow



Art.No.	56.503.9055.0
EAN	4015573713635
Order unit	100 pieces

Approvals



Technical data

General

Nominal cross section	2.5 mm <sup>2</sup>
Colour	Green/yellow
Number of levels	1
Number of clamp positions per level	2
Width/grid dimension	5 mm
Insulating housing	PA666
Inflammability class of insulation material acc. with UL94	V0
Mounting method	DIN rail (top hat rail) 35/7.5 mm
Terminal blocks for electrical installations	Yes

Technical data

Rated voltage	500 V
Rated impulse voltage	6 kV
Pollution degree	3
Closing plate required	Yes
Length	48.6 mm
Type of insulation material	Thermoplastic

Connection Data

Connection type 1	Screw connection
Connection type 2	Screw connection
Minimum cross section solid	0.5 mm <sup>2</sup>
Maximum cross section solid	4 mm <sup>2</sup>

Minimum cross section fine stranded	0.5 mm <sup>2</sup>
Maximum cross section fine stranded	2.5 mm <sup>2</sup>
Wire strip length	9 mm
Torque conductor mounting	0.5 Nm
Torque rail mounting	0,5

**Technical Data UL/CSA**

Cross section UL	22-12 AWG
Cross section CSA	24-12 AWG

Drawings

Diese Flächen gelb gekennzeichnet  
this area yellow marked

Tragschiene/mounting rail  
35x21x15  
EN 60715

Tragschiene/mounting rail  
35x21x15  
EN 60715

Auslieferungszustand: Klemmfuß voll ausgefahren  
delivery condition: mounting foot complete opened

4.0  
48.5  
56  
46.3  
5.1

01 02 03 04 05 06 07 08 09 10 11 12 13 14 15 16 17 18 19 20 21 22 23 24 25 26 27 28 29 30 31 32 33 34 35 36 37 38 39 40 41 42 43 44 45 46 47 48 49 50 51 52 53 54 55 56 57 58 59 60 61 62 63 64 65 66 67 68 69 70 71 72 73 74 75 76 77 78 79 80 81 82 83 84 85 86 87 88 89 90 91 92 93 94 95 96 97 98 99 100

001 002 003 004 005 006 007 008 009 010 011 012 013 014 015 016 017 018 019 020 021 022 023 024 025 026 027 028 029 030 031 032 033 034 035 036 037 038 039 040 041 042 043 044 045 046 047 048 049 050 051 052 053 054 055 056 057 058 059 060 061 062 063 064 065 066 067 068 069 070 071 072 073 074 075 076 077 078 079 080 081 082 083 084 085 086 087 088 089 090 091 092 093 094 095 096 097 098 099 100

Teil-Nr. Farbe Typ  
part-no. colour type  
56.503.9055.0 grün/green WK 2,5 SL/35  
56.503.9095.0 grün/green WK 2,5 SL/35

Weitere Daten siehe Katalog  
further data see catalog

Wieland  
Elektronische  
Verbindungen

EARTH TERMINAL  
SCHUTZLEIT\_KLEMME  
WK 2,5 SL / 35

2005  
2006  
2007  
2008  
2009  
2010  
2011  
2012  
2013  
2014  
2015  
2016  
2017  
2018  
2019  
2020  
2021  
2022  
2023  
2024  
2025  
2026  
2027  
2028  
2029  
2030  
2031  
2032  
2033  
2034  
2035  
2036  
2037  
2038  
2039  
2040  
2041  
2042  
2043  
2044  
2045  
2046  
2047  
2048  
2049  
2050  
2051  
2052  
2053  
2054  
2055  
2056  
2057  
2058  
2059  
2060  
2061  
2062  
2063  
2064  
2065  
2066  
2067  
2068  
2069  
2070  
2071  
2072  
2073  
2074  
2075  
2076  
2077  
2078  
2079  
2080  
2081  
2082  
2083  
2084  
2085  
2086  
2087  
2088  
2089  
2090  
2091  
2092  
2093  
2094  
2095  
2096  
2097  
2098  
2099  
2100