

## Appliance connector

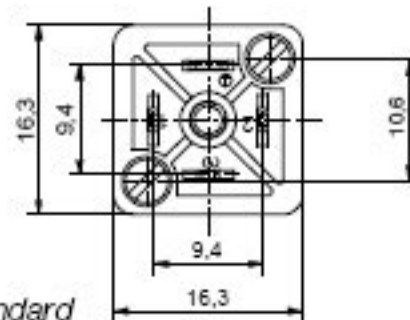
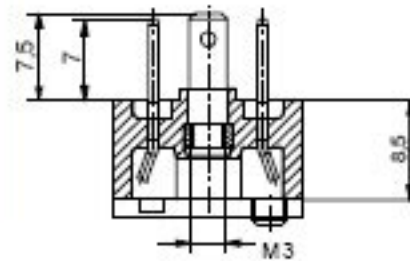


### Product description

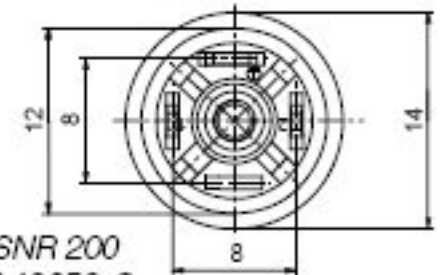
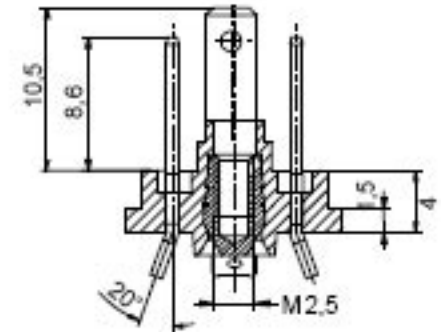
appliance connector for screw-down and for encapsulation

### Further information

see technical data in the catalog  
Rectangular connectors  
for automation technique  
DS 280 490-440.



GSSA 300  
Industrial standard



GSSNR 200  
DIN 43650-C

poles	type	description	approvals	order no.
2+ ⊕ industrial standard (9,4 mm) DIN 43650 C	GSSA 200	central nut and 2 screws		933 117-100
	GSSR 200	central nut, for moulding or sealing		933 115-100
	GSSNA 200	central nut and 2 screws		933 110-100
3+ ⊕ industrial standard (9,4 mm) DIN 43650 C	GSSNR 200	central nut, for moulding or sealing		933 113-100
	GSSA 300	central nut with 2 screws		933 116-100
	GSSR 300	central nut, for moulding or sealing		933 114-100
	GSSNA 300	central nut with 2 screws		933 111-100
	GSSNR 300	central nut, for moulding or sealing		933 112-100