



Product information STAS 4 K 075 SI 1000mm grau/grey

Industrial Connecting Solutions:Rectangular Connectors:Power Connectors (ST series):Cable plug:STAS 4 K 075 SI 1000mm grau/grey

<http://www.e-catalog.beldensolutions.com/link/57078-24228-256261-24351-24355-38163/en/conf/ui/state>

Name STAS 4 K 075 SI 1000mm grau/grey



Molded-on cable plug with harmonized lead (DIN VDE 0282) and safety bracket

Delivery informations

Availability available

Product description

Description Molded-on cable plug with harmonized lead (DIN VDE 0282) and safety bracket

Type STAS 4 K 075 SI 1000mm grau/grey

Order No. 932 578-011

Type of contact male

Number of contacts 4 + PE

Cable color black

Cable length 1000 mm

Cable diameter 8.2 mm

Conductor size 0.75 mm²

Cable specification 5 x 0.75 mm²

Cable type H05 RR-F5G 0,75

Housing Color grey

Contact bearer color black

Technical data

Pin dimensions 2 mm

Rated voltage AC 400 V / DC 250 V

Rated current DC 10 A / AC 10 A

Contact resistance <= 5 mOhm

Material

Contact material Cu Zn

Contact surface material Sn

Contact bearer material PA

Housing material PA

Environmental conditions

Protection class (IEC 60529) IP 54

Pollution severity 3

Temperature range -30°C to +90°C (connector) / -25°C to +60°C (cable)

Inflammability class

Housing UL 94 HB

Cable VDE 0472 part 804

Contact bearer UL 94 V-0

Approvals

VDE VDE

SEV SEV

Packing unit

Packaging unit 50 pieces



HIRSCHMANN

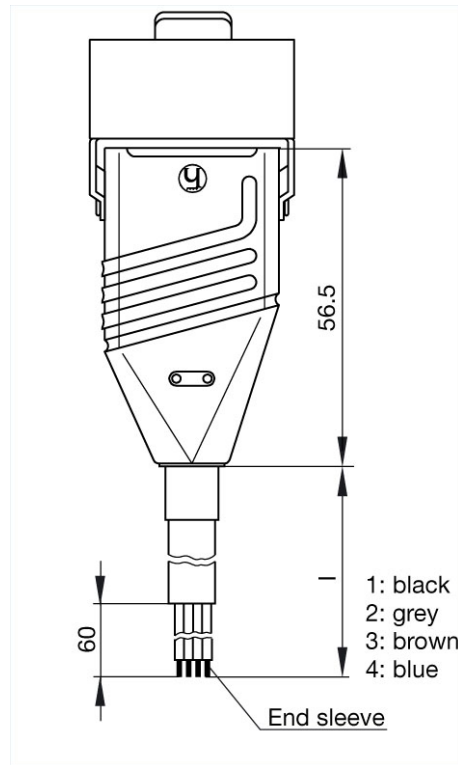
A BELDEN BRAND

Industrial Connecting Solutions:Rectangular Connectors:Power Connectors (ST series):Cable plug-STAS 4 K 075 SI 1000mm grau/grey

<http://www.e-catalog.beldensolutions.com/link/57078-24228-256261-24351-24355-38163/en/conf/ui/state>

Picture

Drawing



Belden Deutschland GmbH

Im Gewerbepark 2

58579 Schalksmühle

Germany

Phone: +49 7127/14-1806

E-Mail: icos-sales@belden.com

The information published in the websites has been compiled as carefully as possible. It is subject to alteration without notice in technical as well as in price-related/commercial respect. The complete information and data were available on user documentation. Mandatory information can only be obtained by a concrete query.