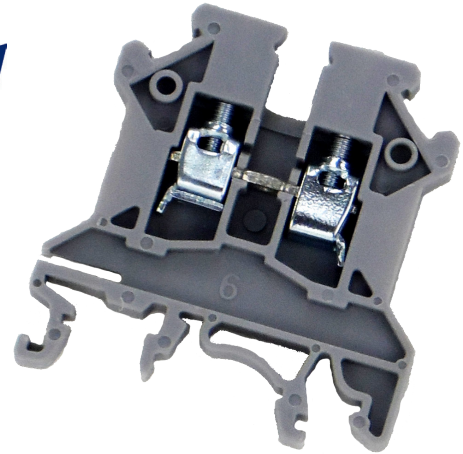


Rapid Part Number: **49-9427**
 Europa Part Number: **CTS10U**
 Specifications and dimensions



- Feed through screw clamp terminal
- Suitable for TS32 and TS35 din rail mounting



Features	
Length	47mm
Width	10mm
Depth	43mm
Weight	0.016Kg
Maximum cable connection	10mm ²
Rated voltage	800V
Rated current	57A
Tightening torque	1.2Nm
Construction	6-6 polyamide
Colour	Grey
Related products	
End plate	CTSEP2U
Partition plate	CTSP2U
End stop	CA702
Blank terminal marker half height	CA509/K2
Blank terminal marker	CA509/K10
10 way jumper bar	CA744/10
Group marker	CA509/G1
Holding plate	CSP1
Protective cover 150mm	CTSPC
Group marker holder	GMH7

ⓘ ALL PRODUCTS, PRODUCT SPECIFICATIONS AND DATA ARE SUBJECT TO CHANGE WITHOUT NOTICE.

Information provided in data sheets and/or specifications may vary from actual results in different applications and performance may vary over time. **All products must be installed according to manufacturers instructions.**

Europa House, Airport Way, Luton, Beds, LU2 9NH Tel: 01582 692 440 / Fax: 01582 692 450 e-mail: sales@europacomponents.com
 website: <http://www.europacomponents.com>