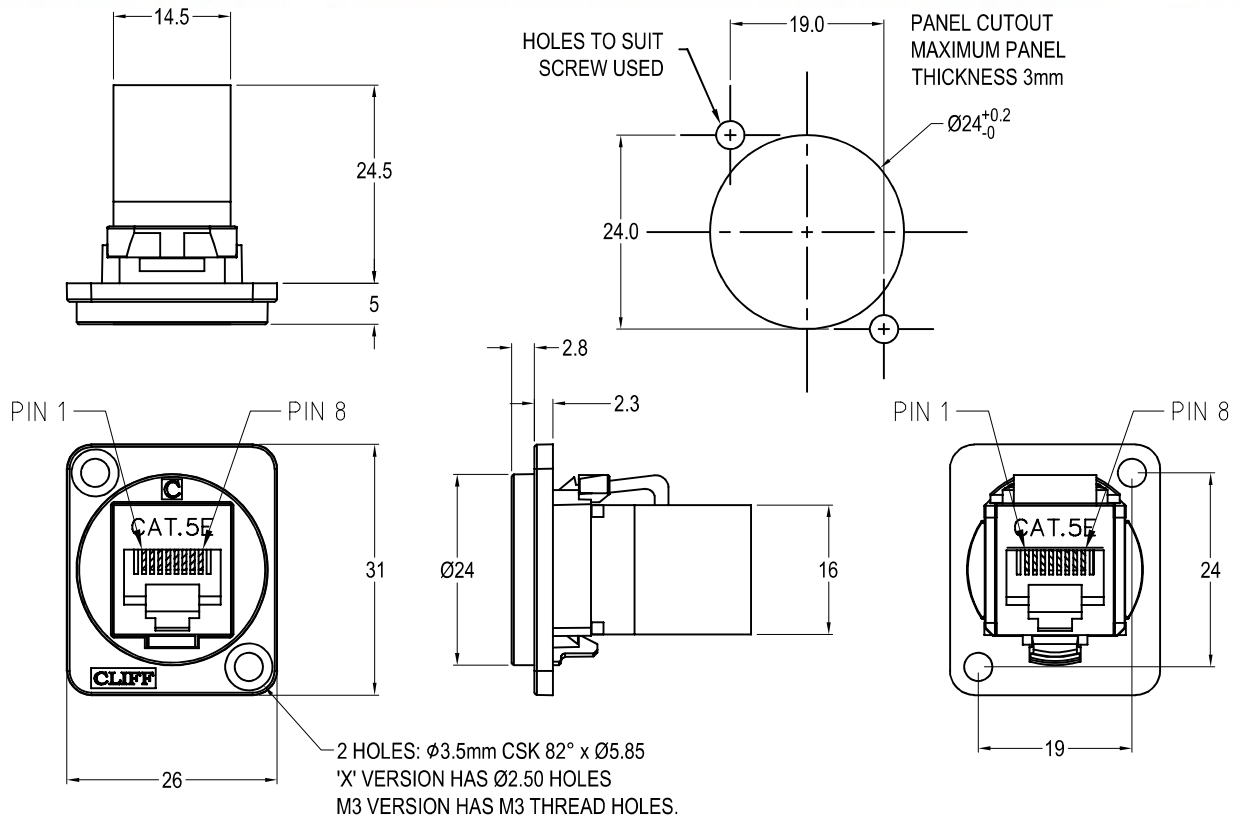


# CLIFF

## CAT5e RJ45 FEEDTHROUGH CONNECTOR



### Feedthrough Features

- Fits standard XLR Ø24mm cutout.
- No soldering or punch termination. Use standard cable for each connector style.
- Front or rear mounted.
- Low rear profile

### General:

Please note: Functionality is affected by cable quality, length and cable wiring configuration.

Other models available:

#### Part No.

<b>CP30220</b>	Cat5e RJ45 Black plastic frame, CSK holes
<b>CP30220W</b>	Cat5e RJ45 White plastic frame, CSK holes
<b>CP30220M</b>	Cat5e RJ45 Nickel plated metal frame, CSK holes
<b>CP30220M3</b>	Cat5e RJ45 Nickel plated metal frame, M3 holes
<b>CP30220MB</b>	Cat5e RJ45 Black metal frame, CSK holes
<b>CP30220M3B</b>	Cat5e RJ45 Black metal frame, M3 holes
<b>CP30220X</b>	Cat5e RJ45 Black plastic frame, PLAIN holes
<b>CP30220XW</b>	Cat5e RJ45 White plastic frame, PLAIN holes

### Material:

- 1.RJ45 In-Line Coupler:  
PC/ABS, UL 94V-0
  - 2.RJ45 In-Line Coupler Contact:  
Phosphor Bronze, 3-50 micro inches gold plating over nickel plate.
  - 3.PCB: FR4, UL 94V-0
  4. Plastic Frame: Polyamide UL94 V-2
  5. Metal Frame: Diecast, Black or Nickel plated
- Performance:**
- 1.T568A & T568B wiring.
  - 2.Meet ISO/IEC 11801 and EN50173
  - 3.Meet ANSI/TIA/EIA 568B.2
  - 4.Operating temperature: Min -10°C, Max +60°C