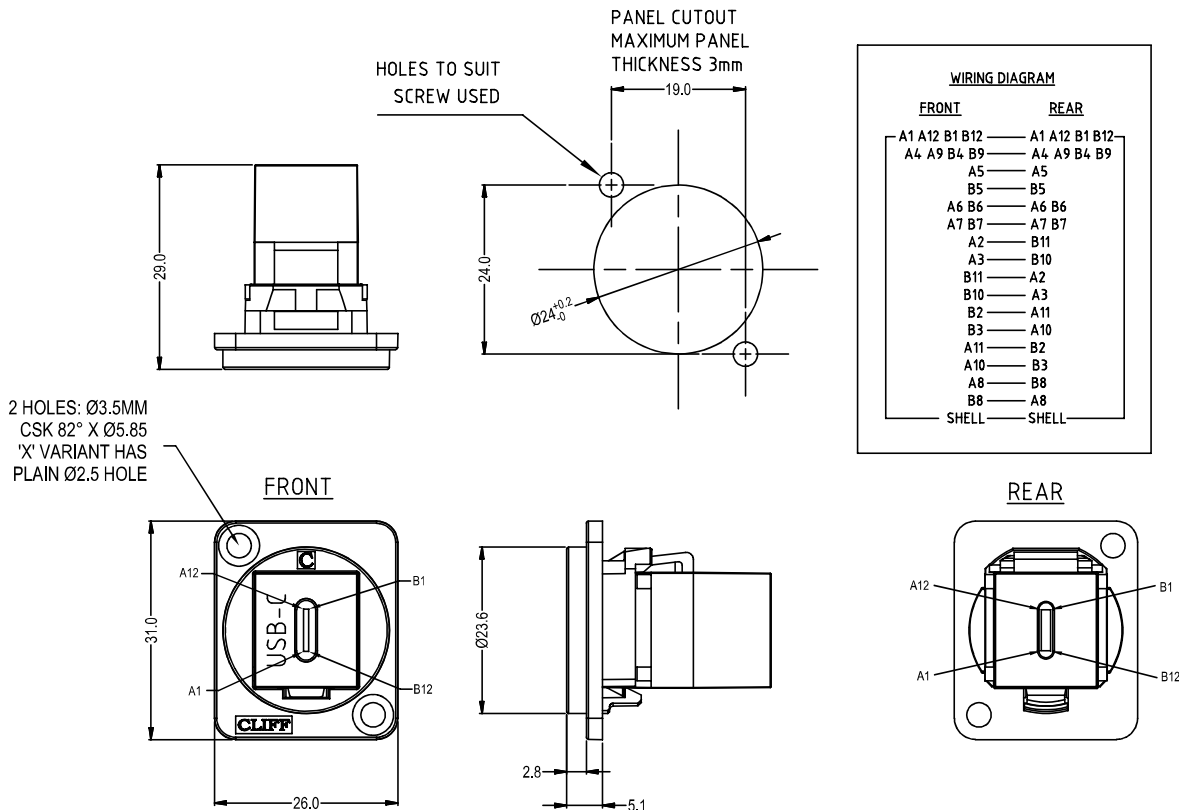


CLIFF

FEEDTHROUGH CONNECTOR USB-C FEMALE - FEMALE



N.B.
FUNCTIONALITY IS AFFECTED BY CABLE QUALITY, LENGTH AND CABLE WIRING CONFIGURATION.
NOT COMPATIBLE FOR POWER DELIVERY (PD) CHARGING.

Feedthrough Features

- Fits standard XLR Ø24mm cutout.
- No soldering or punch termination. Use standard cable for each connector style.
- Front or rear mounted.
- Low rear profile

VARIANTS

Part No.

CP30201	USB-C Female - Female, Black plastic frame, CSK holes
CP30201W	USB-C Female - Female, White plastic frame, CSK holes
CP30201X	USB-C Female - Female, Black plastic frame, Plain holes
CP30201XW	USB-C Female - Female, White plastic frame, Plain holes

USB-C Specification:

Maximum Rated Current - 3A
Maximum Power - 60W
Withstanding Voltage - 100V for 1 minute.
Contact Resistance - 40 Milli-ohms Max.
Insulation Resistance - 100 Mega-ohms Min.
Insertion Life - 5,000 Cycles.

Materials:

Frame: PA66, UL94-V2
Insert: ABS - UL94 HB