

# CLIFF

## CLIFFCON-P

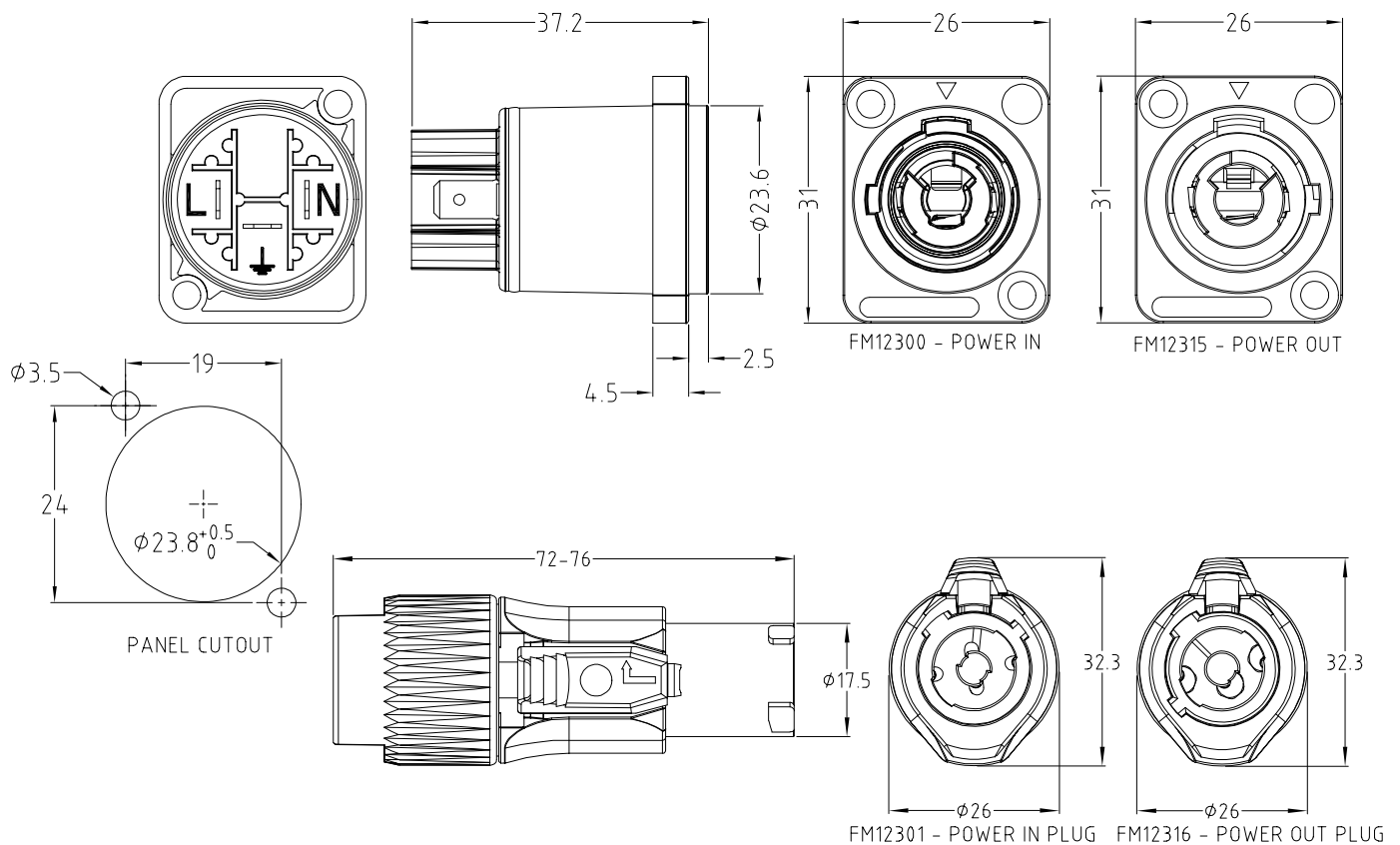
Cliffcon-P is a range of power plugs and sockets. There are 2 types, Power In and Power Out. Plugs lock into sockets and have a keyway to prevent insertion of the wrong plug.



**FM12300** - CLIFFCON-P POWER IN SOCKET  
**FM12301** - CLIFFCON-P POWER IN PLUG



**FM12315** - CLIFFCON-P POWER OUT SOCKET  
**FM12316** - CLIFFCON-P POWER OUT PLUG

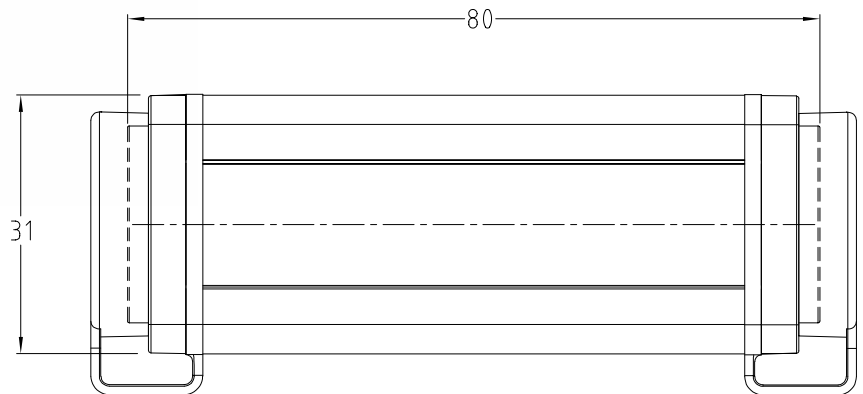


# CLIFF

## CLIFFCON-P



**FM12320** - CLIFFCON-P IN/OUT COUPLER WITH DUST CAPS



### SPECIFICATION

Number of contacts:	2+PE
Contact Resistance:	$\leq 3\text{m}\Omega$
Insulation Resistance:	$\geq 100\text{M}\Omega$
Dielectric strength:	4000V DC
Rated Voltage:	250V AC
Rated current per contact:	20A rms
FM12300 mates with	FM12301
FM12315 mates with	FM12316

For further information, contact [sales@cliffuk.co.uk](mailto:sales@cliffuk.co.uk)

**Cliff Electronic Components Limited,**  
76 Holmethorpe Avenue, Holmethorpe Ind. Estate,  
Redhill, Surrey RH1 2PF U.K.  
Tel: +44 (0)1737 771375 Fax: +44 (0)1737 766012



Visit us online at:



[www.cliffuk.co.uk](http://www.cliffuk.co.uk)