



# Rocker Switch SPST On-On 250V AC 10A

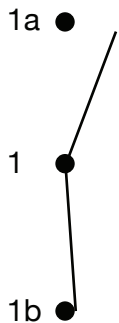
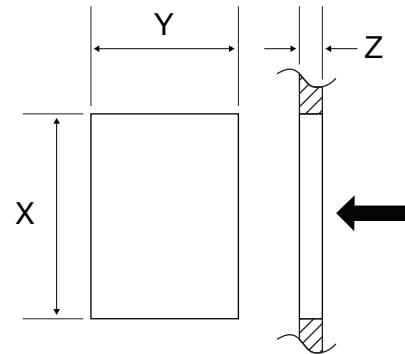
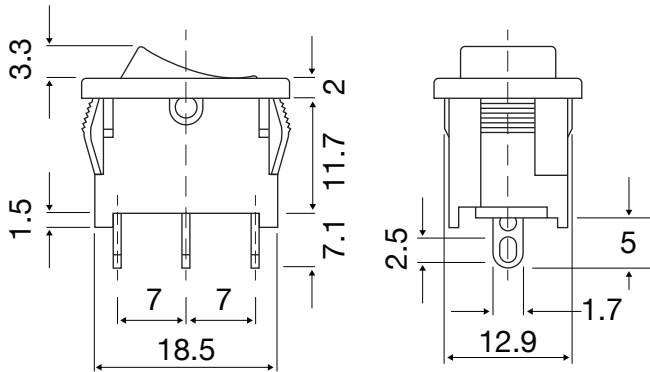
A1233110000

Order code: **50-1031**

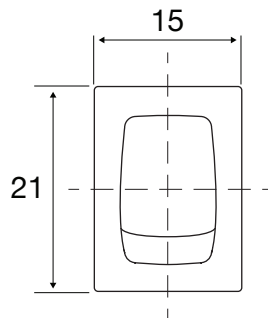
## Specification:

Typical Applications: Small appliances  
 Functions: SPST, momentary or latching  
 Cycle no. 50,000  
 Cut out: 19 x 13mm  
 Ambient temperature 125°C  
 GWT 850°C  
 GWT no flame (<2sec) 750°C on demand  
 Rating: Terminal 1 - 2 - 7 - 8 - 9 - A - E  
 Function 1 - 3  
 10 (4) A / 250 VAC  
 6 (6) A / 250 VAC  
 6 (4) A / 250 VAC - 5E4  
 T125/55°C - T125°C  
 EN 61058

10A -125 / 250 VAC  
 1/3 HP - 125 VAC  
 1/2 HP - 250 VAC  
 T105°C  
 UL 1054  
 CSA C22.2



FUNCTION



Z	Y	X
0,75 ... 1,25	13,0 ±0.1	19,0 ±0.1
1,25 ... 2,0	13,0 ±0.1	19,3 ±0.2
2,0 ... 3,0	13,0 ±0.1	19,6 ±0.2