



Rocker Switch SPDT On-Off-On 250V AC 10A

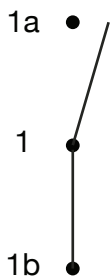
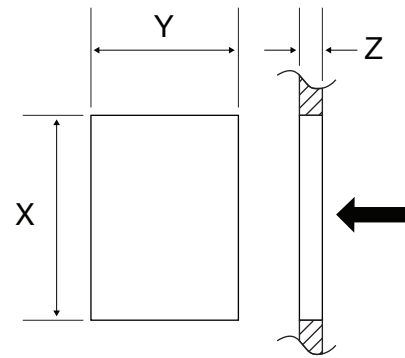
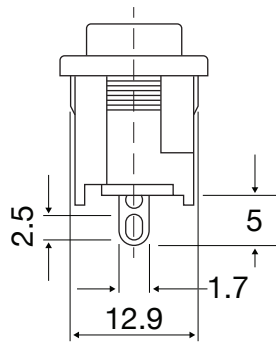
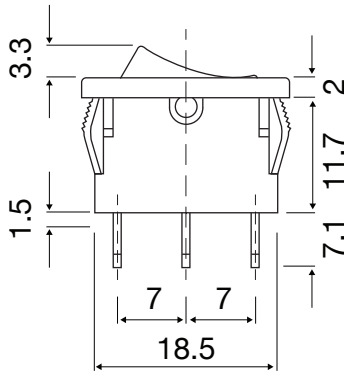
A125B11000000

Order code: **50-1032**

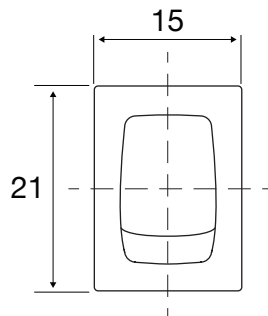
Specification:

Typical Applications: Small appliances
 Functions: SPST, momentary or latching
 Cycle no. 50,000
 Cut out: 19 x 13mm
 Ambient temperature 125°C
 GWT 850°C
 GWT no flame (<2sec) 750°C on demand
 Rating: Terminal 1 - 2 - 9 - E
 Function 1 - 3
 13 (4) A / 250 VAC
 6 (6) A / 250 VAC - 5E4
 T125/55°C - T125°C
 EN 61058

15A / 125 VAC
 10A / 250 VAC
 1/3 HP - 125 VAC
 1/2 HP - 250 VAC
 T105°C
 UL 1054
 CSA C22.2



FUNCTION



Z	Y	X
0,75 ... 1,25	13,0 ±0.1	19,0 ±0.1
1,25 ... 2,0	13,0 ±0.1	19,3 ±0.2
2,0 ... 3,0	13,0 ±0.1	19,6 ±0.2