



Miniature Push Button Switch 250V DC 5.2 A Black

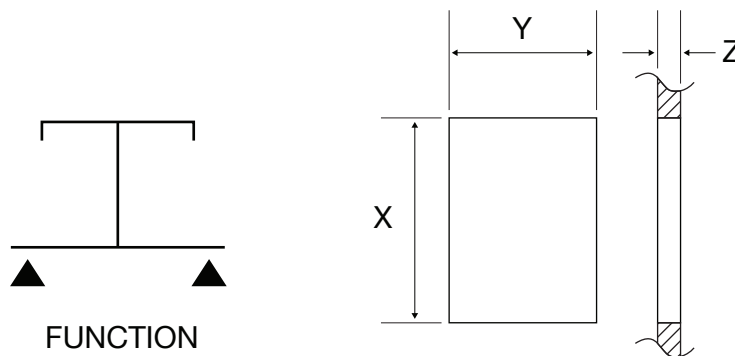
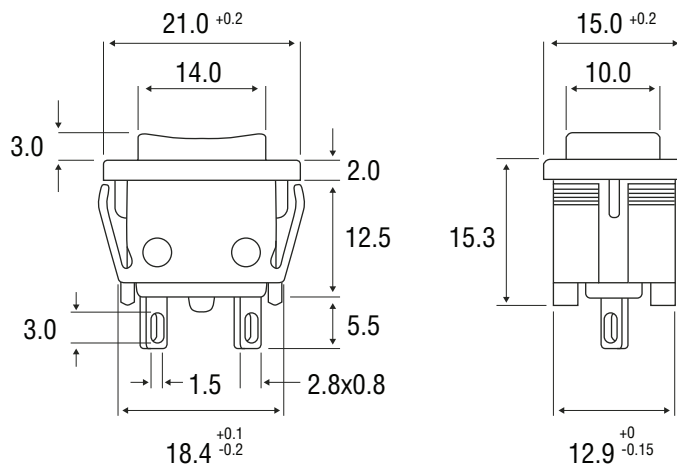
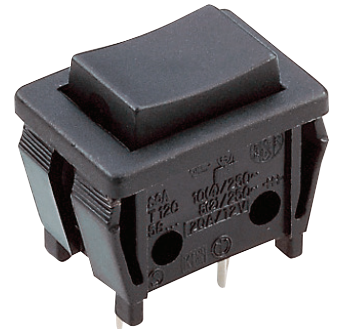
SCA58406A11000

Order code: **50-1064**

Specification:

10(4)A/250V~
1(2)A/250V -5E4
T120°C

6A/125-250VAC
1/6HP-250VAC
1/8HP-125VAC
T65°C



FUNCTION

Z	Y	X
0,7 ... 1,25	13,0 ±0.1	19,0 ±0.1
1,25 ... 2,0	13,0 ±0.1	19,3 ±0.2
2,0 ... 3,0	13,0 ±0.1	19,6 ±0.2