



Banana plug; for socket 4 mm Ø

Item No.: 215-211



Marking

RoHS ✓
Compliant

Business data

| | |
|------------|---------------|
| Supplier | WAGO |
| Item no. | 215-211 |
| GTIN / EAN | 4045454293468 |
| Content | 1 |
| | |
| | |

Notes

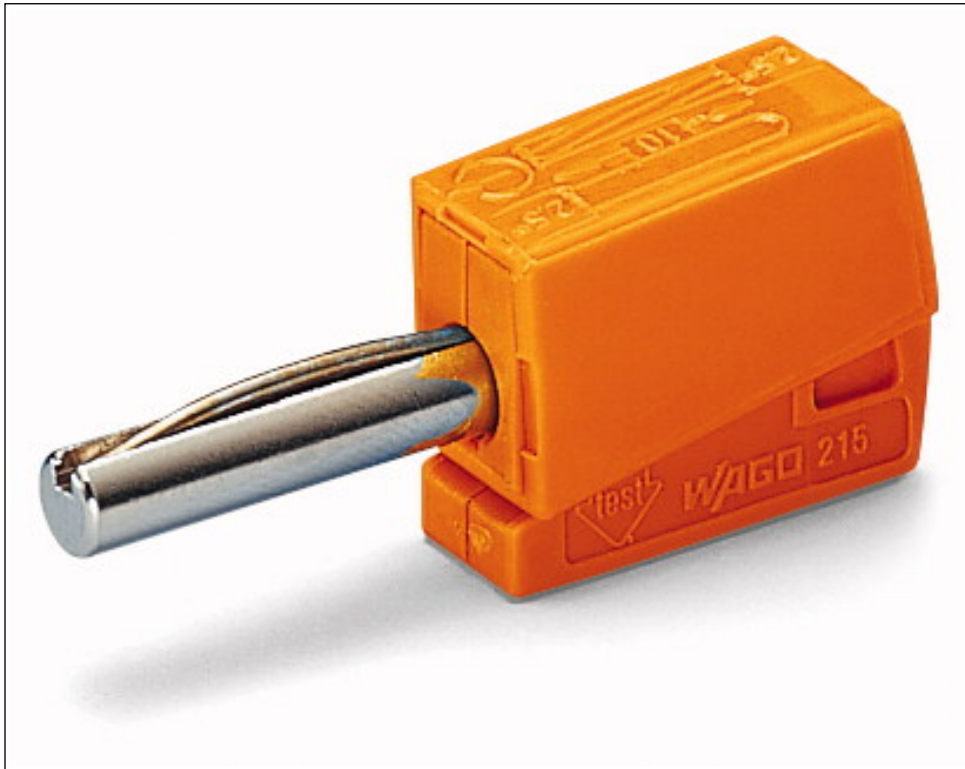
Technical data

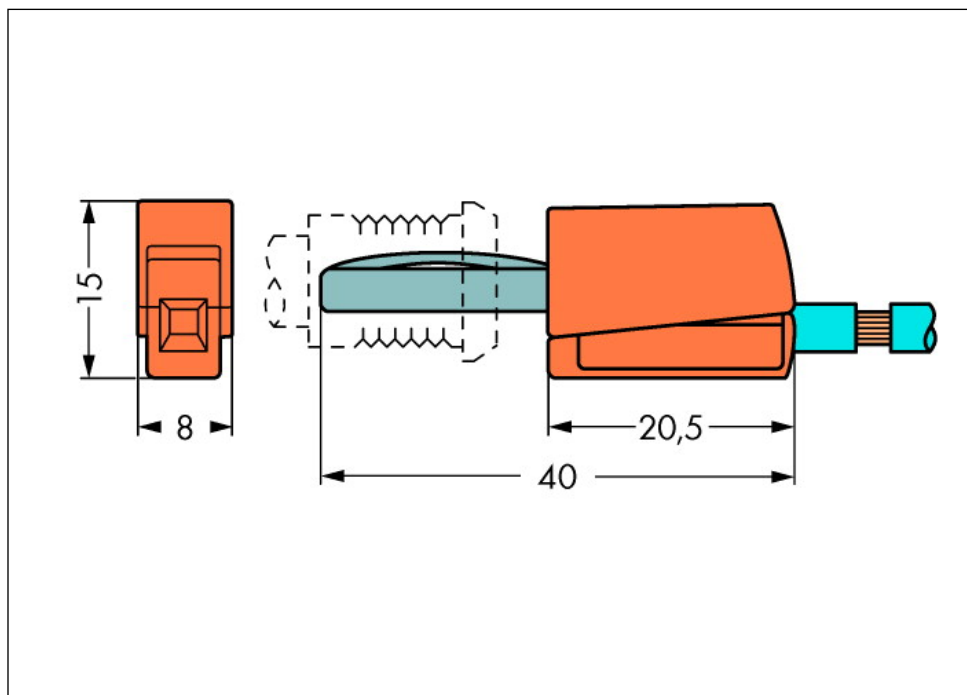
Miscellaneous

| | |
|----------------------------|---------------------|
| | |
| Main product function | Testing accessories |
| Total number of potentials | 1 |
| Rated current [A] | 20 [A] |
| Test voltage [V] | 42 [V] |
| Connection technology | CAGE CLAMP® |

| Technical data | |
|--|--|
| <i>Strip length</i> | <i>9 ... 11 mm / 0.35 ... 0.43 Inch</i> |
| <i>Total number of connection points</i> | <i>1</i> |
| <i>Solid conductor</i> | <i>0.08 ... 2.5 mm² / 28 ... 14 AWG</i> |
| <i>Fine-stranded conductor</i> | <i>0.08 ... 2.5 mm² / 28 ... 14 AWG</i> |
| <i>Abmessungen B x H x T (mm) [mm]</i> | <i>(8 x 15 x 40) [mm]</i> |
| <i>Abmessungen B x H x T (inch) [inch]</i> | <i>(0.315 x 0.591 x 1.575) [inch]</i> |
| <i>Width</i> | <i>8 mm / 0.315 Inch</i> |
| <i>Height</i> | <i>15 mm / 0.591 Inch</i> |
| <i>Depth</i> | <i>40 mm / 1.575 Inch</i> |
| <i>Color</i> | <i>orange</i> |
| <i>Weight [g]</i> | <i>3.861 [g]</i> |
| <i>Product type</i> | <i>Accessories</i> |

Images & drawings





Address

WAGO Kontakttechnik GmbH & Co. KG

Hansastr. 27

32423 Minden

Telefon: 0571/887-0

Fax: 0571/887-169

<http://www.wago.com>

© WAGO Kontakttechnik GmbH & Co. KG

Technische Änderungen und Irrtümer vorbehalten.