

1

2

3

4

5

6

7

A

A

B

B

C

C

D

D

E

E

F

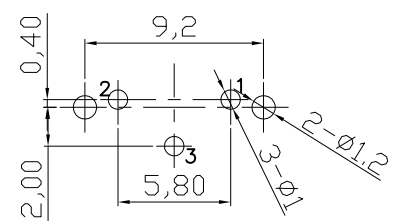
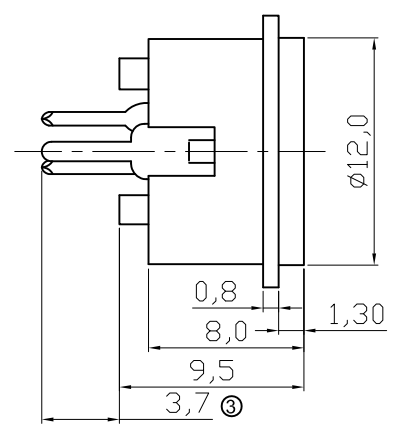
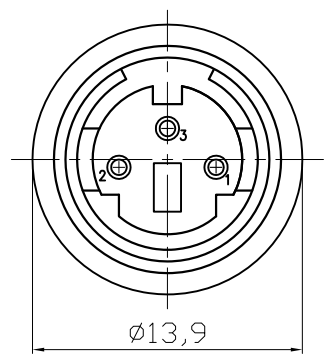
F

G

G

H


H



Recommended PCB Layout ④
Top View Tolerance(±0,05)

- 1.Material:
 Contacts: Phosphor Bronze
 Insulator:PBT+30%G.F UL 94V-0 Black
 Shell: Brass
- 2.Mechanical:
 Mating Force:45N max.
 Withdrawal Force:7N min.
 Durability:500 cycles min.
- 3.Electrical:
 ③ Current-max[amps]1.0A
 voltage-max[volts]30V
 Withstanding Voltage 750V AC
 Contact Resistance[ohms] 30 milliohms max
 Insulation Resistance[ohms]1000 Megohms min
- 4.Plating:
 Contacts:Full Gold Flash
- 5.Environmental
 Temperature Range -25°C~ +85°C

RoHS compliant
Unit: mm

Scale	Free						Date	Name	Customer-No.	
TOLERANCE						Drawn	15.07.2009	Rale	ASSMANN WSW-No. A-DIO-TOP/03	
X.X	±0.30	④	Update	25.03.2013	Amy	Approved	25.03.2013	Amy		
X.XX	±0.20	③	Update	12.12.2012	Amy					
X.XXX	±0.10								Drawing-No.	
DIM	TOL	②	Change the manufacture plant	16.12.2010	Rale				ASS 1010C CO	rev04
X.°	±5°	①	Drawn	15.07.2009	Rale				Replace	Sheet
X.X°	±3°									
Angle	TOL	Id.	Modification	Date	Name					

1

2

3

4

5

6

7