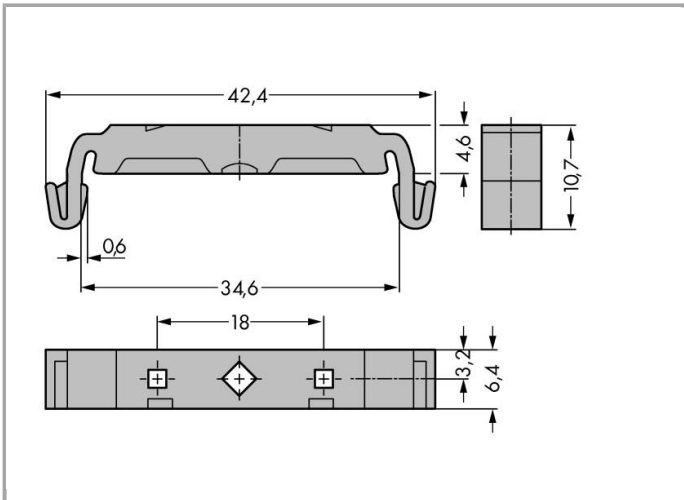
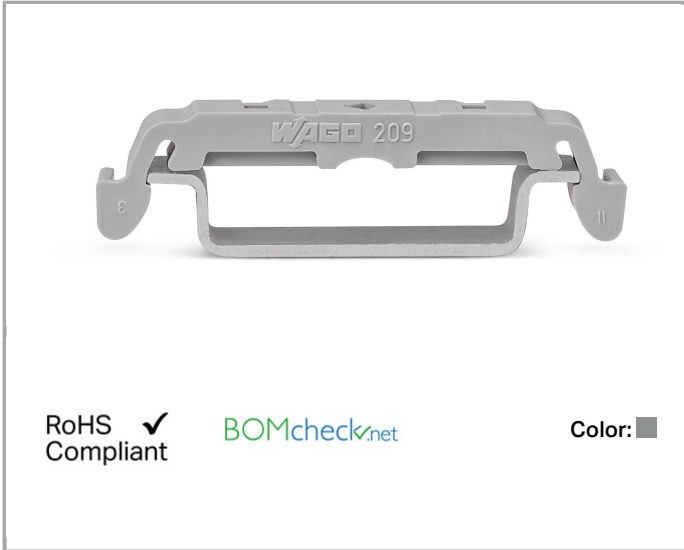


Data sheet | Item number: 209-120

Mounting foot; can be snapped on terminal blocks with snap-in mounting foot; for mounting on relay-modules; 6.4 mm wide



www.wago.com/209-120



Data

Technical Data

Main product function	Mounting Accessories
Type of mounting	DIN-35 rail

Geometrical Data

Abmessungen B x H x T (mm)	(6.4 x 4.6 x 42.4) mm
Width	6.4 mm / 0.252 inch
Abmessungen B x H x T (inch)	(0.252 x 0.181 x 1.669) inch
Height	4.6 mm / 0.181 inch



Depth	42.4 mm / 1.669 inch
-------	----------------------

Material Data

Color	gray
Fire load	0.034 MJ
Weight	1.414 g

Subject to changes.

WAGO Kontakttechnik GmbH & Co. KG
Hansastr. 27
32423 Minden
Phone: +49571 887-0 | Fax: +49571 887-169
Email: info.de@wago.com | Web: www.wago.com

Do you have any questions about our products?
We are always happy to take your call at 01788 568 008.