



Service connector

Item No.: 224-201



Service connector

Marking

RoHS
Compliant

Business data

Supplier	WAGO
Item no.	224-201
GTIN / EAN	4044918818407
Content	1

Notes

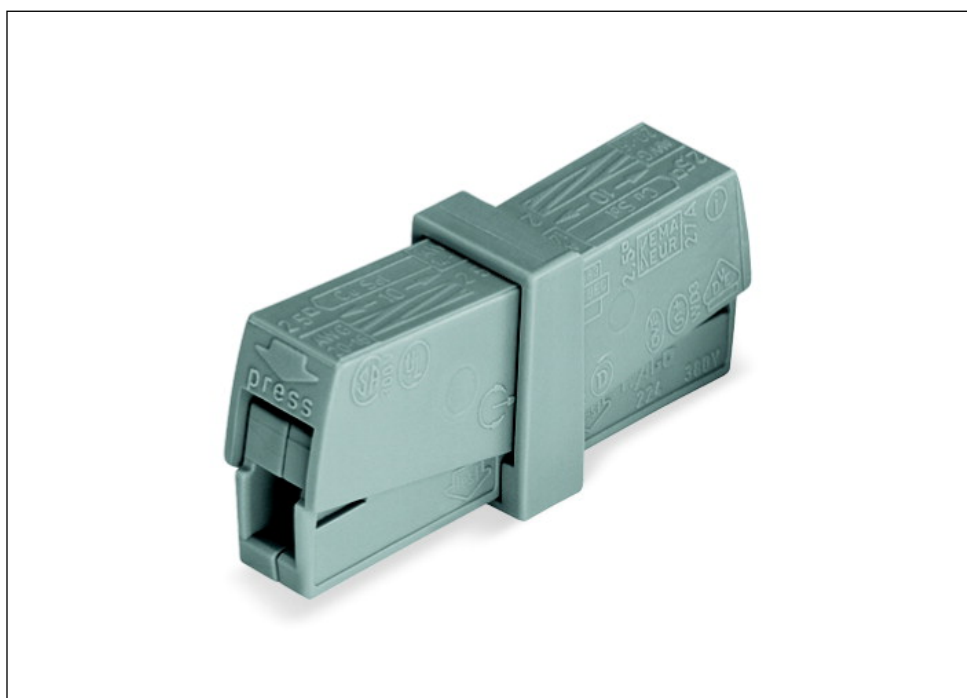
Technical data

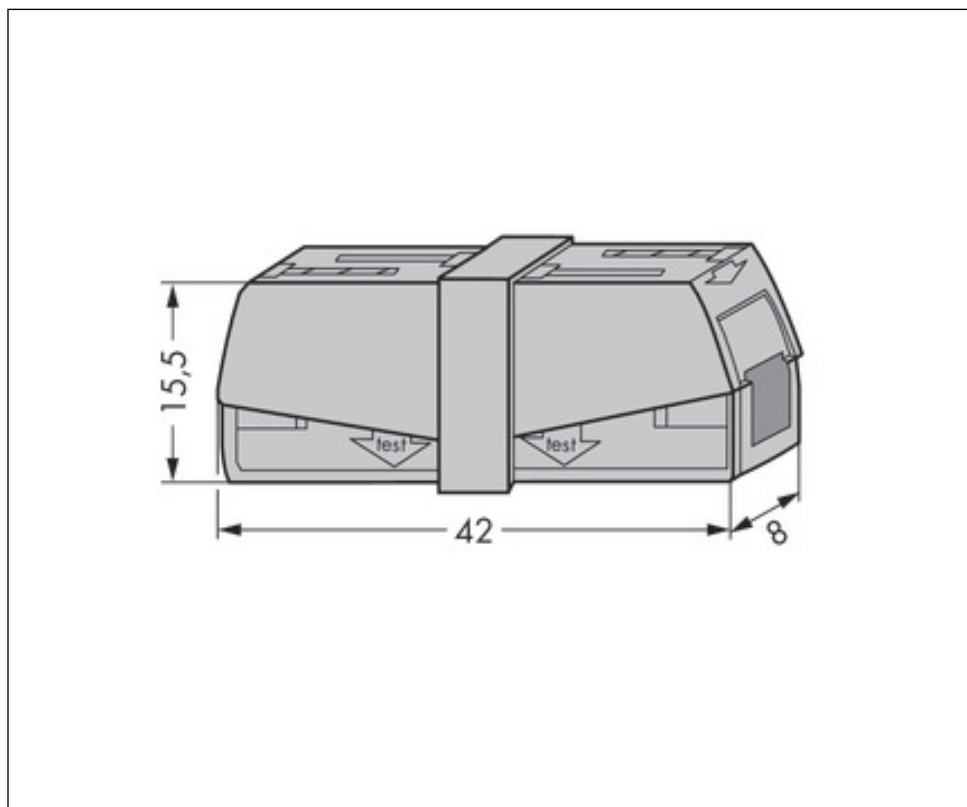
Miscellaneous

Safety information 1	In grounded power lines
Rated voltage (II / 2) [V]	400 [V]
Rated impulse voltage (II / 2) [kV]	4 [kV]
Rated current [A]	24 [A]
Legend (ratings)	(II / 2) Overvoltage category II / Pollution degree 2

Technical data	
Type of wiring	Side-entry wiring
Total number of connection points	2
Total number of potentials	1
Connection technology	CAGE CLAMP®
Actuation type	Push-in
Connectable conductor materials	Copper
Solid conductor	0.5 ... 2.5 mm ² / 20 ... 16 AWG
Fine-stranded conductor	0.5 ... 2.5 mm ² / 20 ... 16 AWG
Strip length	9 ... 11 mm / 0.35 ... 0.43 Inch
Width	8 mm / 0.315 Inch
Height	15.5 mm / 0.61 Inch
Depth	42 mm / 1.654 Inch
Color	gray
Fire load [MJ]	0.099 [MJ]
Weight [g]	5 [g]
Main product function	Lighting connector
Product type	Splicing connectors

Images & drawings





Address

WAGO Kontakttechnik GmbH & Co. KG

Hansastr. 27

32423 Minden

Telefon: 0571/887-0

Fax: 0571/887-169

<http://www.wago.com>

© WAGO Kontakttechnik GmbH & Co. KG

Technische Änderungen und Irrtümer vorbehalten.