



**Stackable PCB terminal block; Push-button; 2.5 mm<sup>2</sup>; Pin spacing 7.5/7.62 mm; 1-pole; CAGE CLAMP®**

Item No.: 256-501



**Marking**

RoHS ✓  
Compliant

**Business data**

|            |               |
|------------|---------------|
| Supplier   | WAGO          |
| Item no.   | 256-501       |
| GTIN / EAN | 4044918810777 |
| Content    | 1             |
|            |               |
|            |               |

**Notes**

*Item description: Modular terminal blocks with push-button actuated CAGE CLAMP® Also available with Ex e approval Set to metric or inch pin spacing by compressing terminal strips together or pulling them apart Ideal for in-the-field wiring thanks to simplified push-button actuation Convenient, tool-free operation*

**Technical data**

*Miscellaneous*

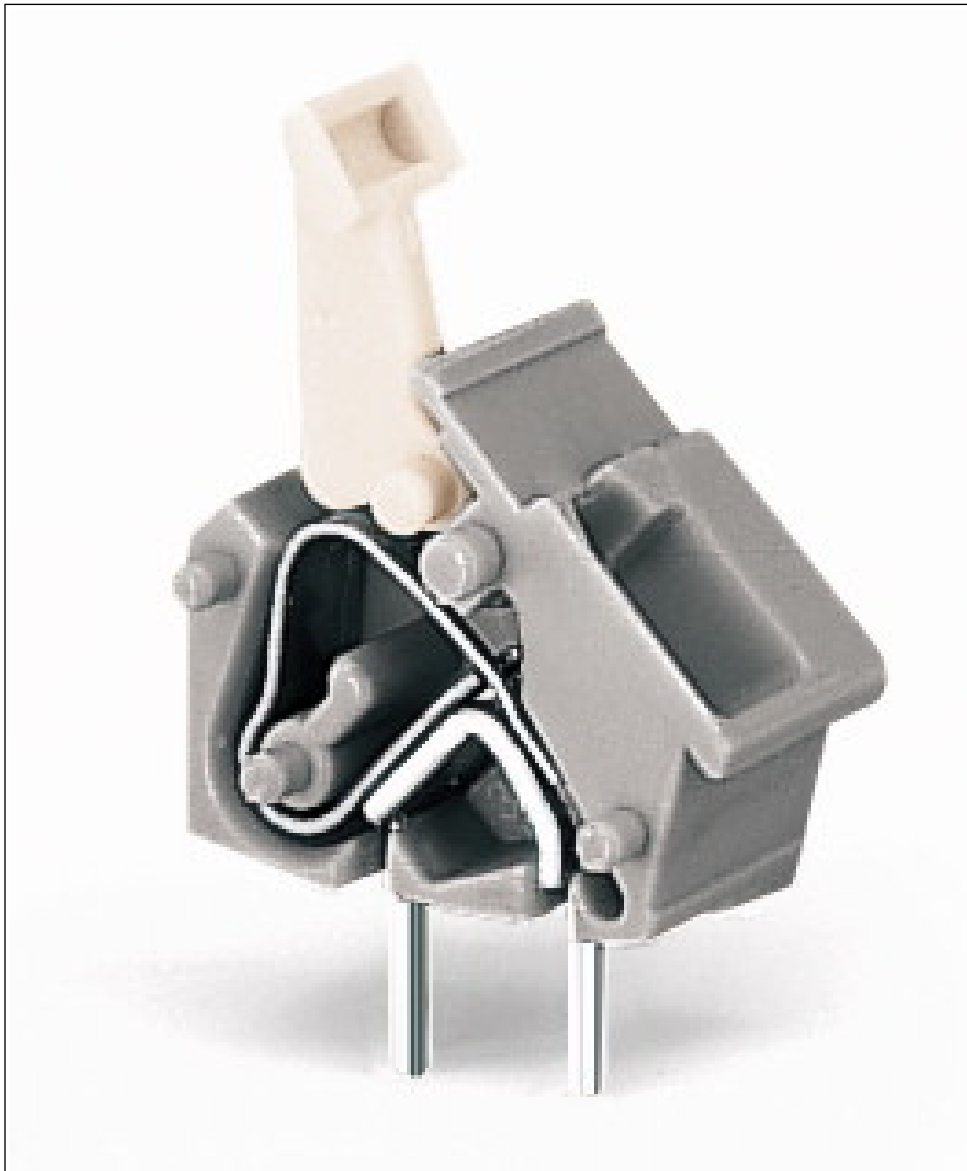
|  |                     |
|--|---------------------|
| <i>Other versions (or variants) can be requested</i> | <i>Other colors</i> |
|  |                     |

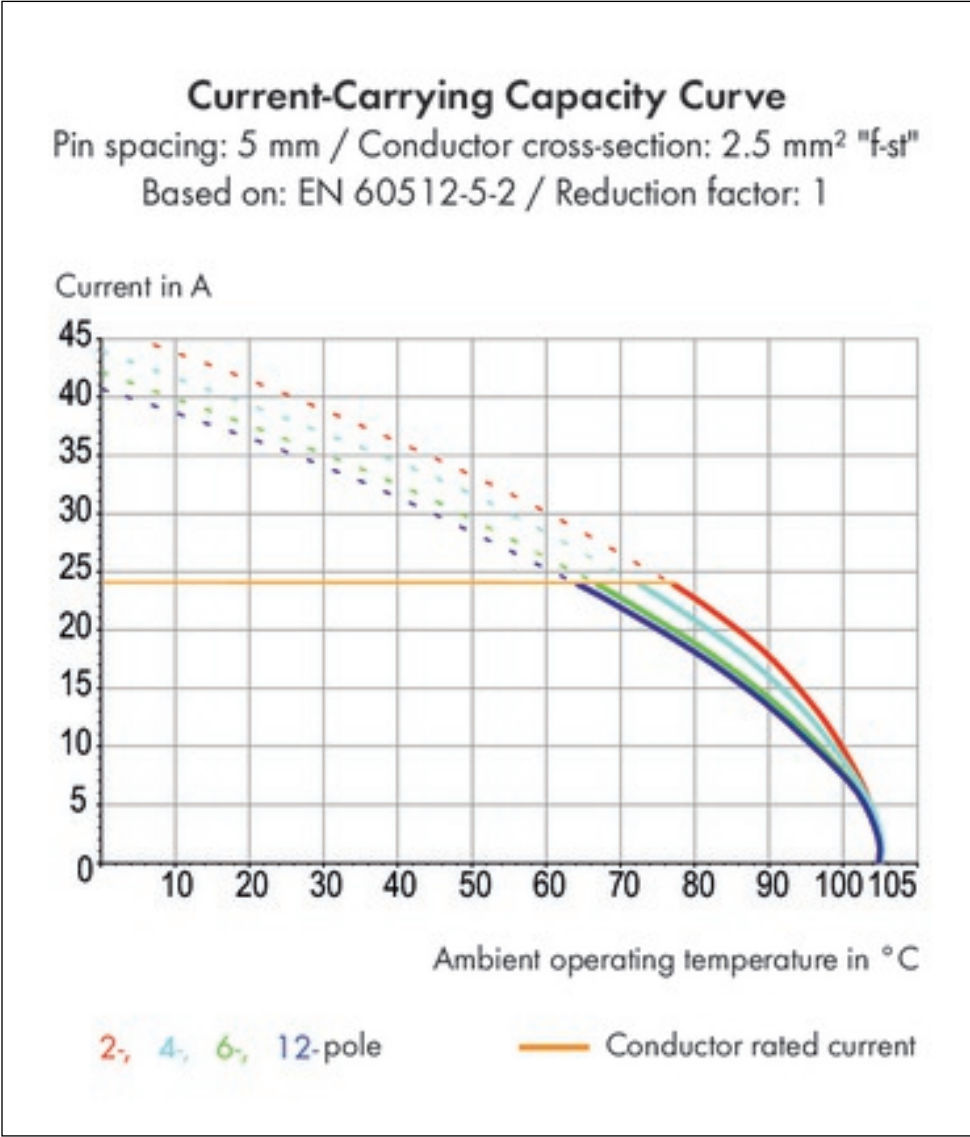
| <b>Technical data</b>  |  |
|--|--|
| <i>Ratings per</i>   | <i>IEC/EN 60664-1</i>  |
| <i>Rated voltage (III / 3) [V]</i>                                 | <i>320 [V]</i>   |
| <i>Rated impulse voltage (III / 3) [kV]</i>                        | <i>4 [kV]</i>  |
| <i>Rated voltage (III/2) [V]</i>                                   | <i>320 [V]</i>   |
| <i>Rated impulse voltage (III / 2) [kV]</i>                        | <i>4 [kV]</i>  |
| <i>Rated voltage (II / 2) [V]</i>                                  | <i>630 [V]</i>   |
| <i>Rated impulse voltage (II / 2) [kV]</i>                         | <i>4 [kV]</i>  |
| <i>Rated current [A]</i>   | <i>24 [A]</i>  |
| <i>Legend (ratings)</i>  | <i>(III / 2) Overvoltage category III / Pollution degree 2</i> |
| <i>Approvals per</i>   | <i>UL 1059</i>   |
| <i>Rated voltage UL (Use Group B) [V]</i>                          | <i>300 [V]</i>   |
| <i>Rated current UL (Use Group B) [A]</i>                          | <i>15 [A]</i>  |
| <i>Rated voltage UL (Use Group D) [V]</i>                          | <i>300 [V]</i>   |
| <i>Rated current UL (Use Group D) [A]</i>                          | <i>10 [A]</i>  |
| <i>Rated voltage CSA (Use Group B) [V]</i>                         | <i>300 [V]</i>   |
| <i>Rated current CSA (Use Group B) [A]</i>                         | <i>15 [A]</i>  |
| <i>Rated voltage CSA (Use Group D) [V]</i>                         | <i>300 [V]</i>   |
| <i>Rated current CSA (Use Group D) [A]</i>                         | <i>10 [A]</i>  |
| <i>No. of poles</i>  | <i>1</i>   |
| <i>Total number of connection points</i>                           | <i>1</i>   |
| <i>Total number of potentials</i>                                  | <i>1</i>   |
| <i>Number of connection types</i>                                  | <i>1</i>   |
| <i>Number of levels</i>  | <i>1</i>   |
| <i>Connection technology</i>                                       | <i>CAGE CLAMP®</i>   |
| <i>Actuation type</i>  | <i>Operating lever</i>   |
| <i>Solid conductor</i>   | <i>0.08 ... 2.5 mm<sup>2</sup> / 28 ... 12 AWG</i>             |
| <i>Fine-stranded conductor</i>                                     | <i>0.08 ... 2.5 mm<sup>2</sup> / 28 ... 12 AWG</i>             |
| <i>Fine-stranded conductor with ferrule with plastic collar</i>    | <i>0.25 ... 1.5 mm<sup>2</sup></i>                             |
| <i>Fine-stranded conductor with ferrule without plastic collar</i> | <i>0.25 ... 1.5 mm<sup>2</sup></i>                             |
| <i>Strip length</i>  | <i>5 ... 6 mm / 0.2 ... 0.24 Inch</i>                          |
| <i>Conductor entry angle to the PCB [°]</i>                        | <i>45 [°]</i>  |
| <i>Pin spacing</i>   | <i>7.5/7.62 mm / 0.295/0.3 in</i>                              |
| <i>Width</i>   | <i>10.3 mm / 0.406 Inch</i>                                    |
| <i>Height</i>  | <i>22.2 mm / 0.874 Inch</i>                                    |

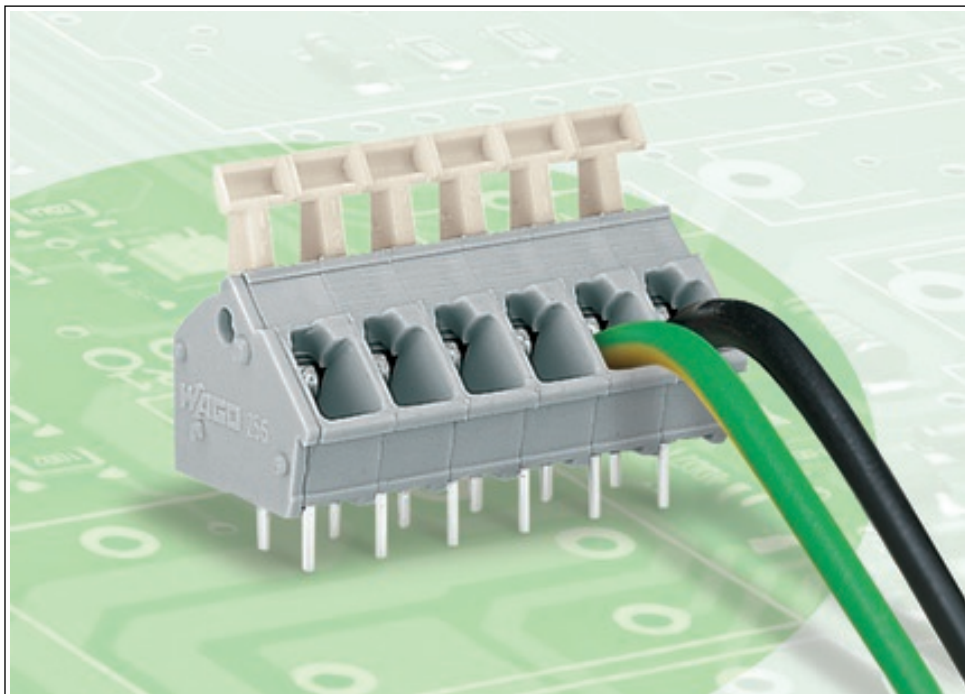
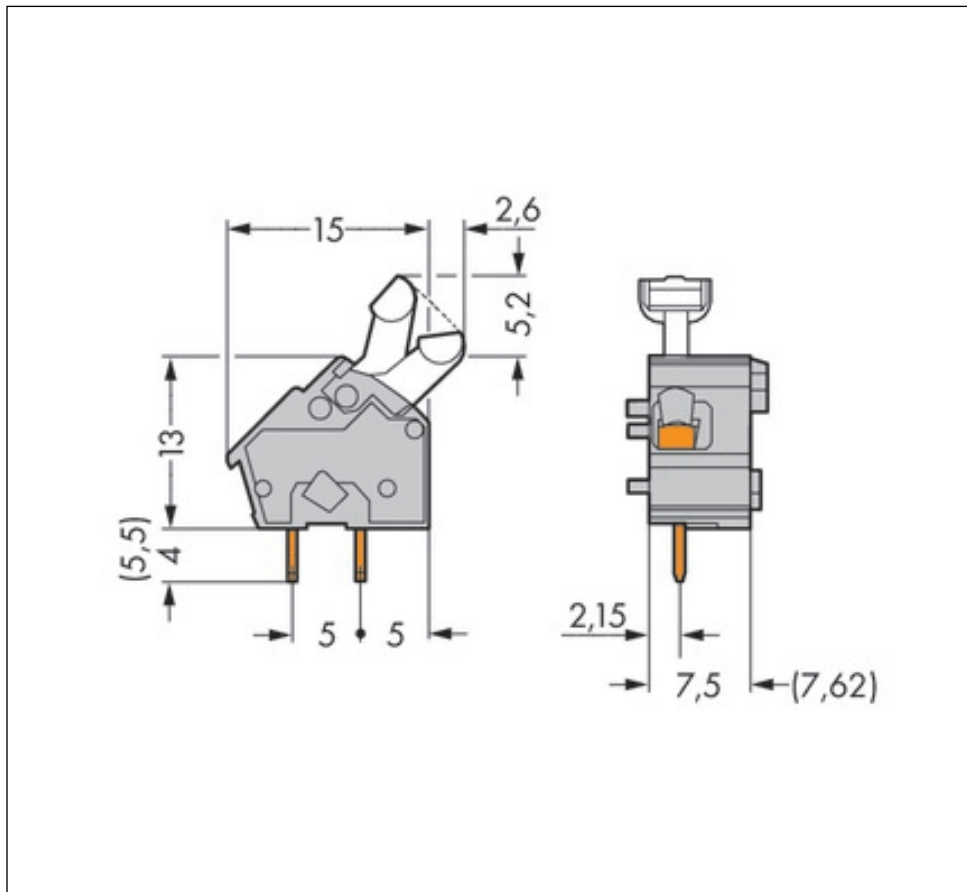
| <b>Technical data</b>                         |                                    |
|---|------------------------------------|
| <i>Height from the surface</i>                | 18.2 mm / 0.717 Inch               |
| <i>Depth</i>                                  | 17.6 mm / 0.693 Inch               |
| <i>Solder pin length [mm]</i>                 | 4 [mm]                             |
| <i>Solder pin dimensions</i>                  | 0.7 x 0.7 mm                       |
| <i>Drilled hole diameter (tolerance) [mm]</i> | 1.1(+ 0.1) [mm]                    |
| <i>PCB contact</i>                            | THT                                |
| <i>Solder pin arrangement</i>                 | within the terminal block, in line |
| <i>Number of solder pins per potential</i>    | 2                                  |
| <i>Color</i>                                  | gray                               |
| <i>Material group</i>                         | I                                  |
| <i>Insulating material</i>                    | Polyamide 66 (PA 66)               |
| <i>Flammability class per UL94</i>            | V0                                 |
| <i>Clamping spring material</i>               | Chrome nickel spring steel (CrNi)  |
| <i>Contact material</i>                       | Electrolytic copper (Ecu)          |
| <i>Contact plating</i>                        | tin-plated                         |
| <i>Fire load [MJ]</i>                         | 0.02 [MJ]                          |
| <i>Weight [g]</i>                             | 1.162 [g]                          |
| <i>Limit temperature range</i>                | -60 ... 105 °C                     |
| <i>Pin spacing up to [in]</i>                 | 0.3 [in]                           |
| <i>Pin spacing up to [mm]</i>                 | 7.62 [mm]                          |
| <i>Pin spacing from [in]</i>                  | 0.295 [in]                         |
| <i>Pin spacing from [mm]</i>                  | 7.5 [mm]                           |
| <i>Main product function</i>                  | PCB terminal block                 |
| <i>Product type</i>                           | PCB terminal blocks                |

Images & drawings









**Address**

WAGO Kontakttechnik GmbH & Co. KG

Hansastr. 27

32423 Minden

Telefon: 0571/887-0

Fax: 0571/887-169

<http://www.wago.com>

© WAGO Kontakttechnik GmbH & Co. KG

Technische Änderungen und Irrtümer vorbehalten.